

PROJECT NAME:	APPROVED BY:
CATALOG NO:	TYPE NO:

SNY - NEW YORK CITY EMERGENCY LIGHT

Evenlite's New York City approved SNY emergency lights are 20 gauge steel construction. Provided with two or three LED lampheads to order.

Construction

- Durable 20 gauge steel housing in white powder coat finish
- Universal knockout pattern on back plate for wall mount applications, top and side conduit entry

Electrical

- 120/277 vac field selectable input
- Maintenance free 9.6V Nickel Cadmium Battery
- Solid state two rate charger recharges the battery in 24 hours following a 90 minute discharge
- Fully automatic solid-state transfer switch automatically connects the battery to the the lampheads for 90 minute minimum emergency illumination
- Remote capable standard

Illumination

- Chrome plated metallized reflector with plastic spread lens provides optimal light distribution
- Fully adjustable 1.5W square high brightness LED lampheads
- Two (SNY2) or Three (SNY3) 9.6V 1.5W LED Lampheads

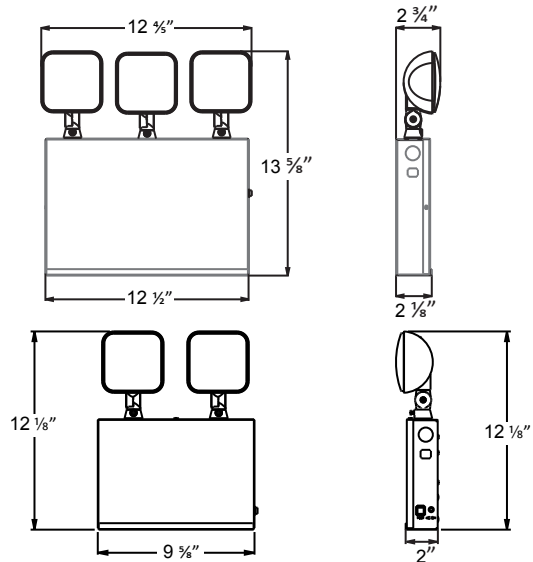
Certification

- NYC approved emergency light
- UL listed for damp location 0-50° C
- Listed to UL 924, meets or exceeds NFPA 101 Life Safety Code, NEC-NFPA 70, OSHA requirements



Warranty

- Five year limited warranty on electronics, battery pro-rated for five years



ORDERING GUIDE – SNY

Example: SNY3-W

Model	Housing Color	Remote Capacity	Compatible Remote Heads
SNY2 Two Lampheads NYC Steel Emergency Light	W White	SNY2 3 Watts	PILED1MV 1.5W Single Indoor Remote
SNY3 Three lampheads NYC Steel emergency Light	B Black	SNY3 7.5-9.0 Watts	PILED2MV 1.5W ea. Double Indoor Remote
			PRWLED1MV 1.5W Single Outdoor Remote
			PRWLED2MV 1.5W ea. Double Outdoor Remote
SNY			

Fill in fields from categories above and complete type and part

Type Number:

Full Part Number: