

PROJECT NAME:	APPROVED BY:	
CATALOG NO:	TYPE NO:	

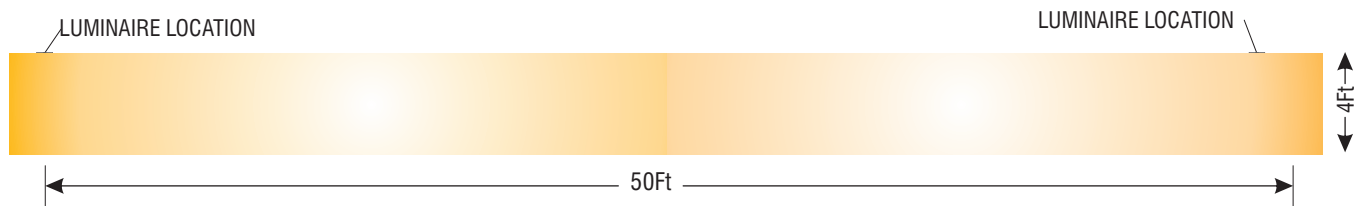
WAYLIGHTER APPLICATIONS GUIDE

Low Level Recessed Emergency Lighting System

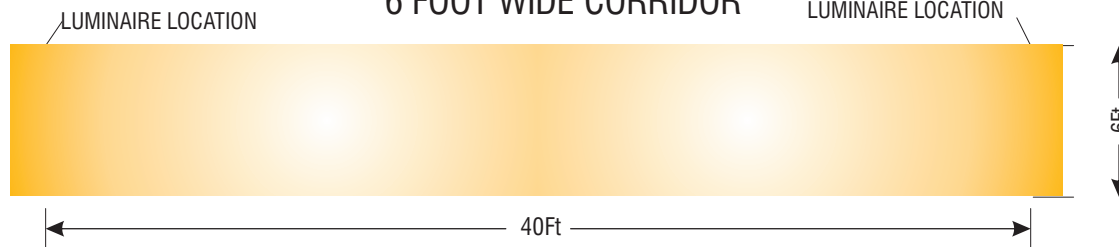
The Waylighter backbox can be installed in new construction, or old work. For new installation hanger bars are included which can be used to mount the back box to the wall studs. For old work butterfly clips are included with the mounting hardware. A two piece backbox facilitates installation in an existing wall. The backbox can be pre-shipped for quick installation where time is of the essence.

Recommended center to center Luminaire Spacings

4 FOOT WIDE CORRIDOR



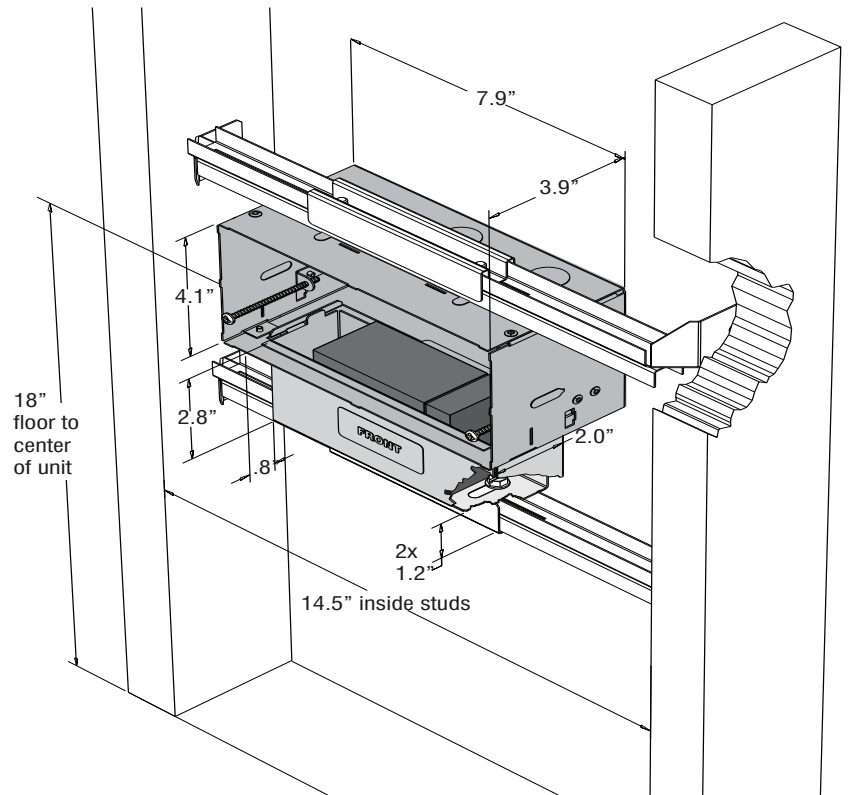
6 FOOT WIDE CORRIDOR



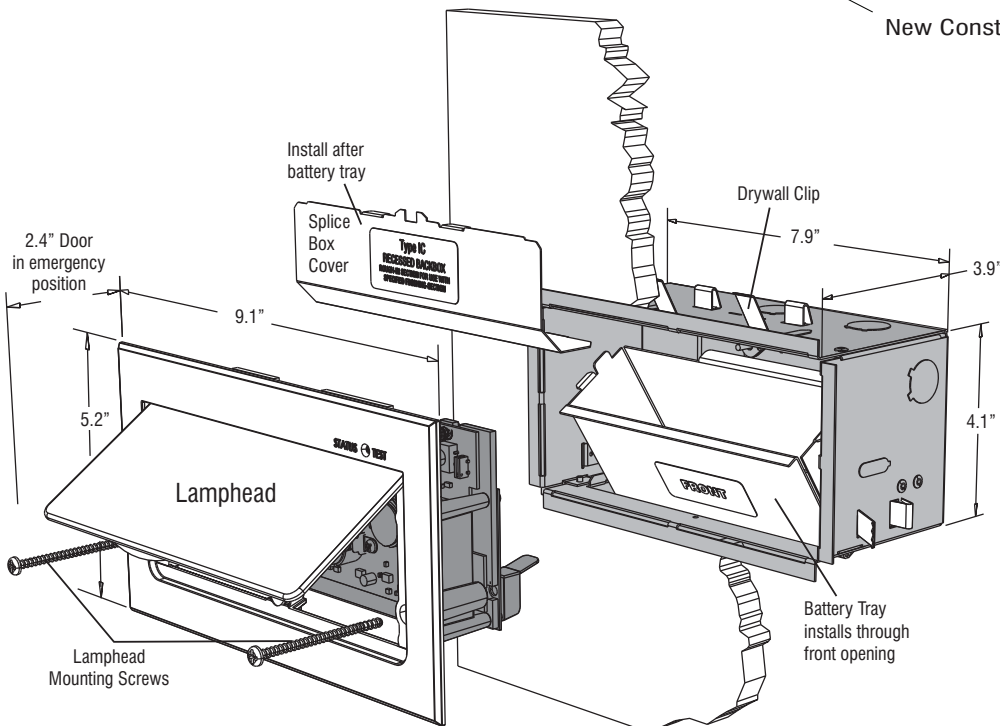
- Photometrics independently tested and compiled by ITL Boulder Testing Laboratories.
- Recommended spacing's based on requirements for meeting the Life Safety Standard minimum illuminance of 0.1fc and average illuminance of 1.0 fc. Assumes that the fixtures are wall mounted 18" above the floor in a corridor 4' or 6' wide with 8' ceiling height and reflectances of 80/50/20.
- Note: Recommended spacing's calculated from laboratory data taken under controlled conditions in accordance with I.E.S. approved methods. Actual performance results will vary due to field conditions.
- I.E.S. data is available from Evenlite Inc.



Waylighter Recessed Emergency Light



New Construction



Existing Construction