

# INSTALLATION INSTRUCTIONS FOR EMERGENCY & GENERAL LIGHTING FIXTURES

## IMPORTANT SAFEGUARDS

## SAVE THESE INSTRUCTIONS

MUST BE INSTALLED BY QUALIFIED PERSONNEL

When using electrical equipment, basic safety precautions should always be followed including the following:

### READ AND FOLLOW ALL SAFETY INSTRUCTIONS

- |  |  |
|--|--|
| <ol style="list-style-type: none"> <li>1. To avoid the possibility of electrical shock, turn off power supply before installation or servicing.</li> <li>2. Review the diagrams thoroughly before installation.</li> <li>3. All electrical connections must be in accordance with the National Electric code and local codes.</li> <li>4. Do not let power supply cords touch hot surface.</li> <li>5. Do not mount the fixture near gas or electric heaters.</li> <li>6. Equipment should be mounted in locations where it will not be</li> </ol> | <ol style="list-style-type: none"> <li>7. readily subject to tampering by unauthorized personnel.</li> <li>7. The use of accessory equipment not recommended by the original manufacturer may cause an unsafe condition.</li> <li>8. Do not use this equipment for other than intended use.</li> <li>9. Servicing of this equipment should be performed by qualified service personnel.</li> <li>10. Where provided, allow battery to charge for 24 hours prior to first discharge.</li> </ol> |
|--|--|

## LED MODULE REPLACEMENT

LED module with 11W high performance power LED. If need , please contact factory.

## FUNCTION

1. For normal lighting use, the fixture can be configured for automatic operation by the built in daylight photo sensor, or can be switched through an external switch. For battery backup models the fixture will illuminate from the battery power on loss of normal AC, regardless of the photo sensor or wall switch operation.
2. For photo sensor operation, leave the jumper between terminals 1 and 2 and slide the slide switch to the Photo Sensor position (see Fig. 4 for wiring connections). The photo sensor will turn the fixture on when the ambient lighting < 10 Lux, and off when the ambient lighting > 30 Lux.
3. For an external switch: remove the jumper between terminals 1 and 2, connect the switch device between terminals 1 and 2, and slide the slide switch to the Wall Switch position (see Fig. 5 for wiring connections). The external switch connections must be fully isolated from any other circuitry.
4. For "Normally Off" standby battery backup operation only: connect the AC power as shown in Fig. 2 or 3 below and remove the jumper between terminals 1 and 2. The slide switch is defeated in this mode so it can be in either the Photo Sensor or Wall Switch positions.

**PHOTO SENSOR**  **WALL SWITCH**  
Slide switch to select function

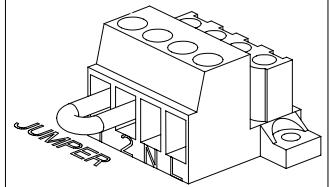


Figure 1

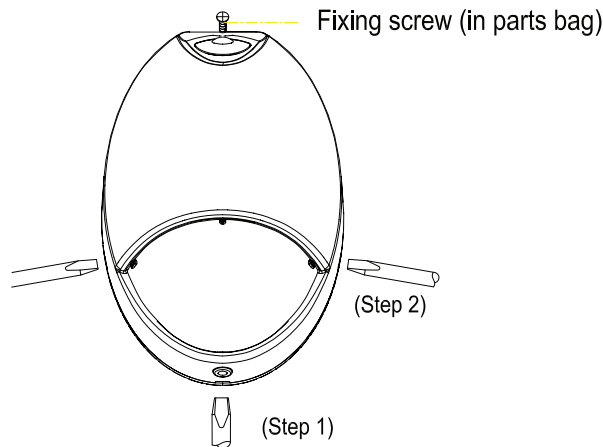


Figure 2 Wall Mount - Back Power Feed

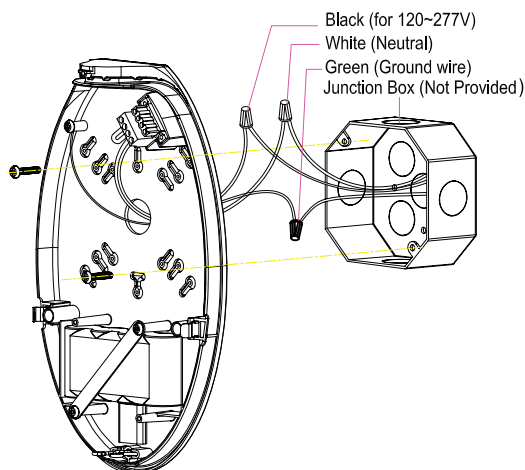


Figure 3 Wall Mount -Surface Wiring ( Top Power Feed Only )

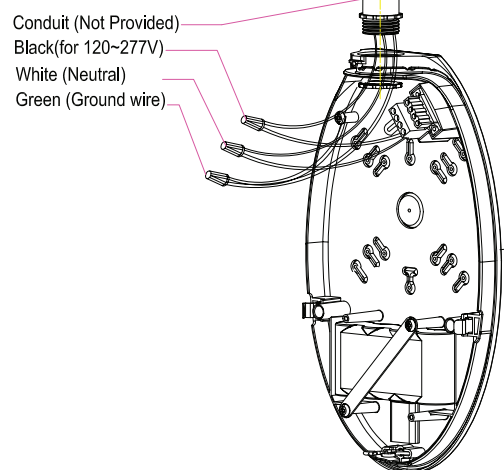
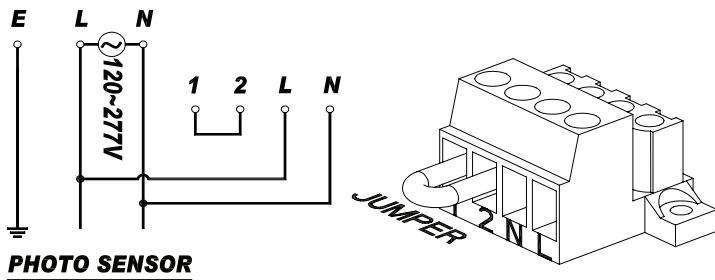
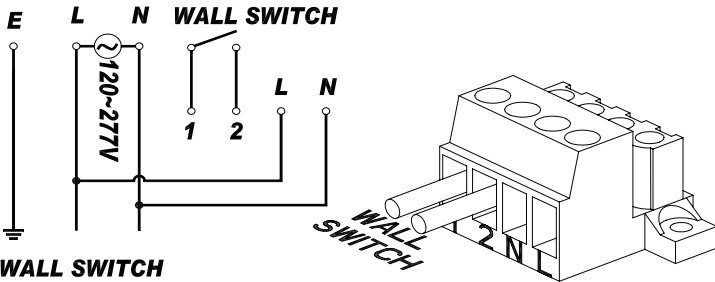


Figure 4



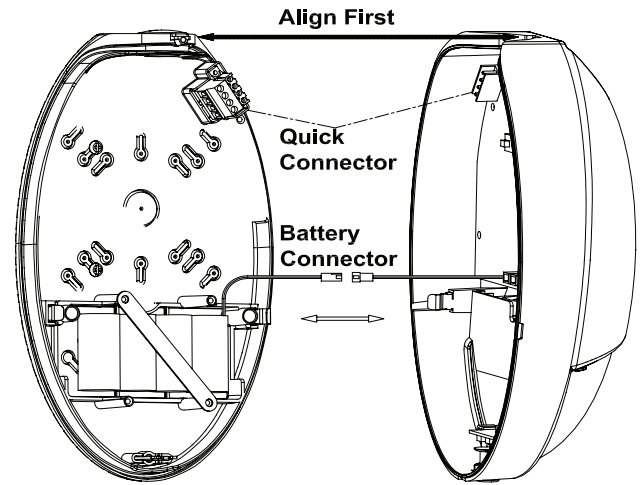
**PHOTO SENSOR**

Figure 5



**WALL SWITCH**

Figure 6



**Installation:**

- Figure 1: Open the front cover
- Figure 2: Installation using junction-box
- Figure 3: Installation using conduit
- Figure 4: Wiring diagrams for photo sensor
- Figure 5: Wiring diagrams for wall switch
- Figure 6: Assembly and quick connector

**INSTRUCTIONS FOR SELF-DIAGNOSTICS/SELF-TESTING FUNCTION**

1. **Install Emergency Lighting according to the above instructions**
2. **Once AC power is supplied to fixture, the unit will automatically initiate a self-Test and self-Diagnostic test as follows.**
  - (1) Verifies battery disconnection, charger failure, transformer failure at every 5 seconds.
  - (2) One-minute Self-Testing (battery discharging test) every month.
  - (3) 30 minutes Self-Testing (battery discharging test) on the 6th month of the year.

**3. Dual color LED lamp shows the following status:**

- (1) Green color  ON/ Ready
- (Operating Status)  Blinking: Testing
- (2) Red color (Service Alert)
- (3) Service Alert LED Code (Red color LED lamp)

●	One blink ON/pause (4 seconds)	Battery is not connected
●●	Two blinks ON/pause (4 seconds)	Battery is shorted or battery voltage drops below an acceptable value
●●●	Three blinks ON/pause (4 seconds)	Charger board circuit fault
●●●●	Four blinks ON/pause (4 seconds)	Transformer fault

**4. For manual test, press test button as follows:**

Press test button once	(within 2 seconds)	1 minute test
Press test button twice	(within 2 seconds)	5 minutes test
Press test button 3 times	(within 2 seconds)	30 minutes test
Press test button 4 times	(within 2 seconds)	90 minutes test

**IMPORTANT**

After correcting a service alert fault, it is necessary to depress the test button for 2 seconds. Once released the LED indicator will be green if all faults have been corrected.

# INSTRUCTION OF CONNECTIONS FOR HEATER PAD

Installation:

- Figure 1: Heater pad introduce
- Figure 2: Installation battery to heater pad
- Figure 3: Installation heater pad
- Figure 4: 120V heater pad wiring diagram
- Figure 5: 277V heater pad wiring diagram

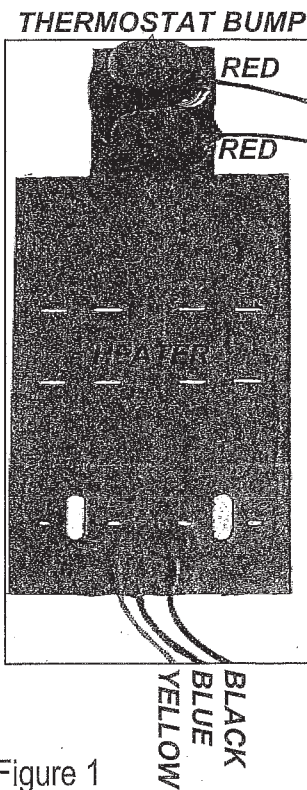


Figure 1

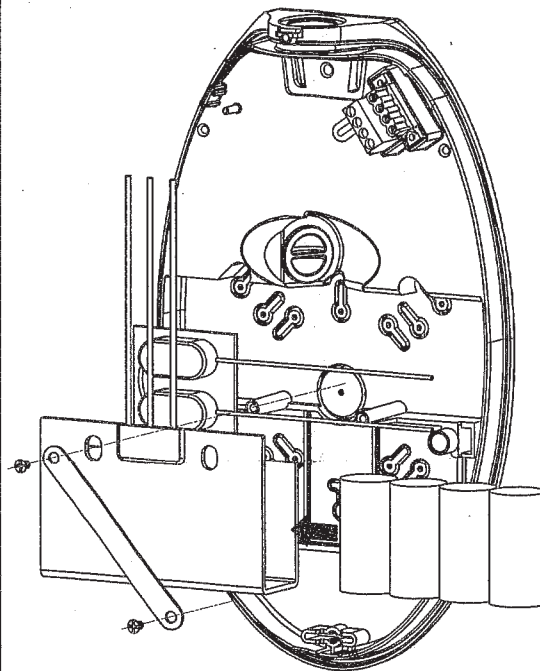


Figure 2

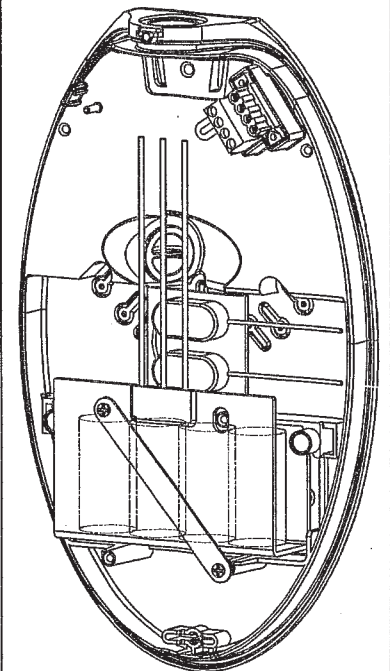


Figure 3

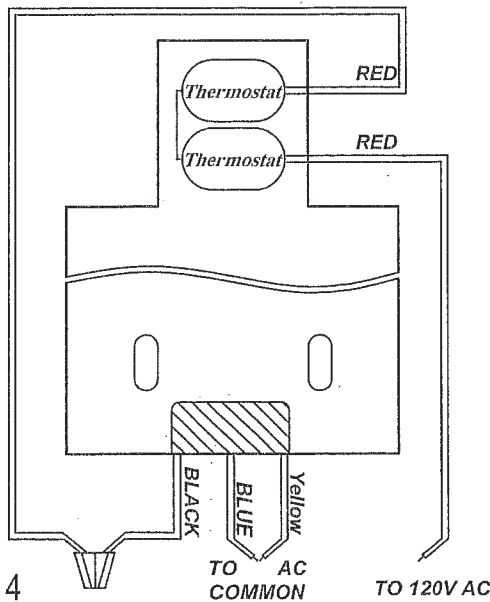


Figure 4

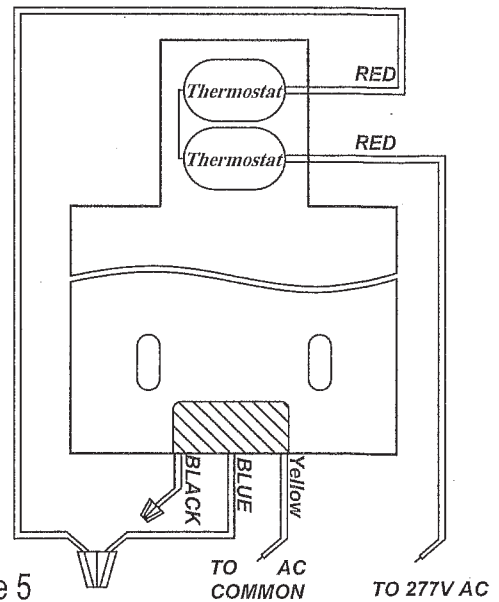


Figure 5