

# WeatherWay

## WET LOCATION LUMINAIRE AND EMERGENCY LIGHT WITH PHOTOSENSOR

### SERIES: WW

#### INSTALLATION AND OPERATING INSTRUCTIONS

### IMPORTANT SAFEGUARDS READ AND FOLLOW ALL SAFETY INSTRUCTIONS:

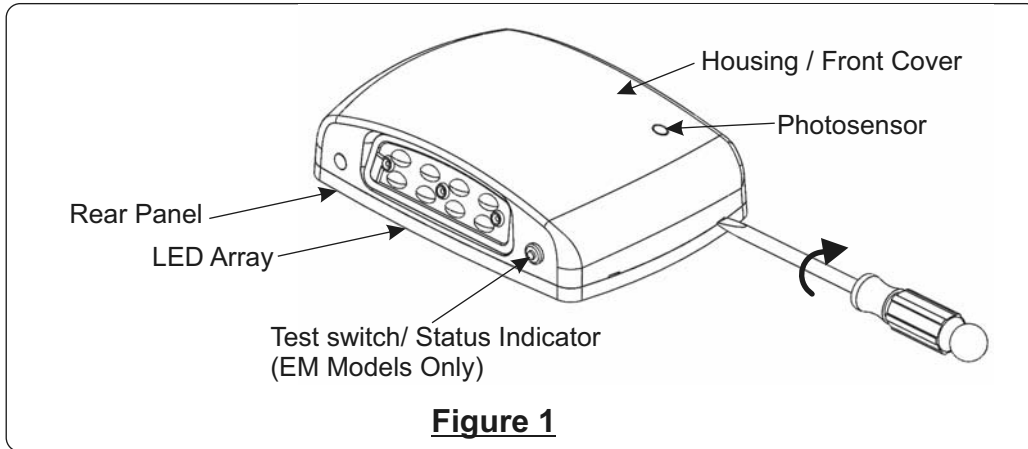
When using electrical equipment, basic safety precautions should always be followed including the following:

1. Disconnect power at fuse or circuit breaker panel before installing or servicing of the unit.
2. DO NOT mount in hazardous locations, near gas or electric heaters.
3. DO NOT let power cords touch hot surfaces.
4. Equipment should be mounted in locations and at heights where it will not be readily subject to tampering by unauthorized personnel.
5. The use of accessory equipment not recommended by the manufacturer. Use of such equipment may cause unsafe conditions, and will void the unit's warranty.
6. DO NOT use this equipment for other than it's intended purpose.
7. All servicing should be performed by a qualified personnel only.
8. Allow battery to charge for 24 hours before first use.

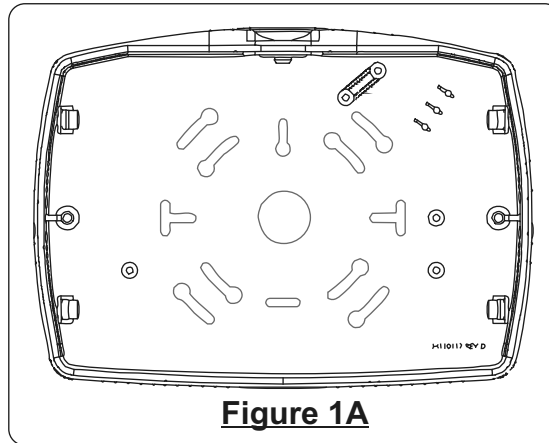
**SAVE THESE INSTRUCTIONS**  
**CONSERVER LA FICHE D'INSTRUCTION**

## SECTION 1: BASIC FUNCTIONALITY AND FEATURES

Open enclosure using flat blade screw driver to access knockouts.



Prior to removing knockouts, support rear panel on a base to prevent panel deflection and/or damage to the cover's flatness.



## SECTION 2: LUMINAIRE ON/OFF CONTROL FUNCTIONS

1. All units have a photo sensor (Operation Limits)
  - a. With ambient light less than 10Lx, the unit will turn ON
  - b. With ambient light greater than 30Lx, unit will turn OFF.

Units with battery backup will turn ON LED array at the loss of AC power (power failure).

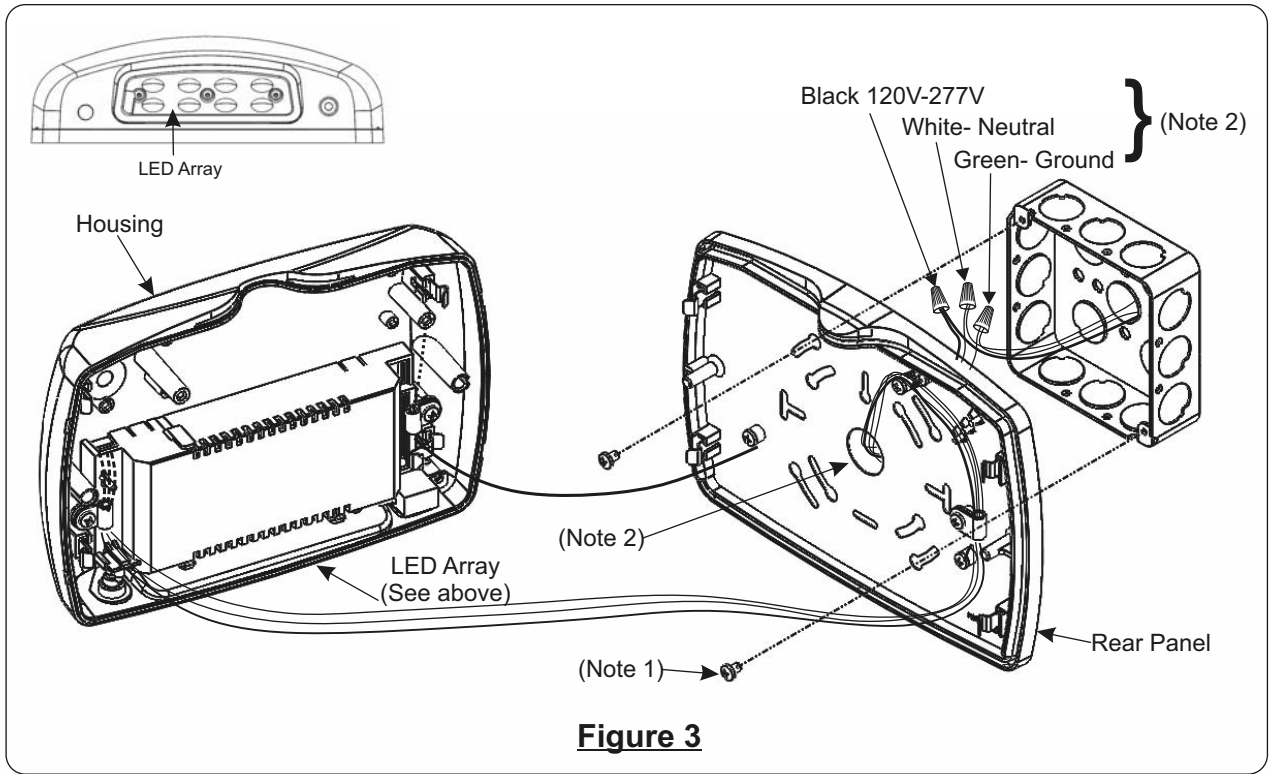
## SECTION 3: LUMINAIRE WITH AC ONLY OPERATION WIRING INSTRUCTION

1. For wall mount, secure backplate to junction box (screws provided with junction box), and feed input source wires through center hole in rear panel. Note: this unit has a wide input range, 120V-277V, eliminating the need for special wiring based on the input voltage.

2. Connect input power leads (120V-277V) to black lead from unit; neutral to white lead and ground to green lead. Once all connections have been made, feed all wires and wire nuts through the center knockout of the rear panel into the junction box.

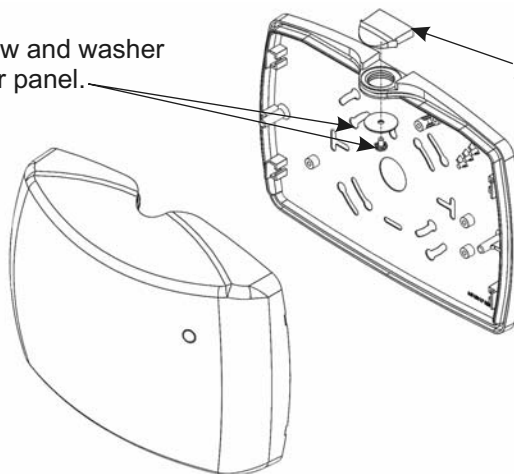
*NOTE: For wall switch functionality, refer to Section 5 for wiring details.*

3. For conduit mounting, remove NPT 1/2" (refer to Figure 3A), feed input source wires through the conduit and opening in rear panel into the unit. Secure the conduit to the rear panel then connect input power leads per step 2 above.



For conduit mounting (Note 3):

Step 1: Remove Screw and washer from inside of the rear panel.



Step 2: Remove NPT 1/2" Pipe Plug from top of unit to allow for conduit installation with input source wires.

**Figure 3A**

## SECTION 4: EMERGENCY (EM OPERATION) LIGHT WITH BATTERY BACKUP WIRING INSTRUCTIONS

1. For wall mount, secure backplate to junction box (screws provided with junction box), and feed input source wires through center hole in rear panel. Note: this unit has a wide input range, 120V-277V, eliminating the need for special wiring based on the input voltage.

2. Connect input power leads (120V-277V) to black lead from unit; neutral to white lead and ground to green lead. Once all connections have been made, feed all wires and wire nuts through the center knockout of the rear panel into the j-box.

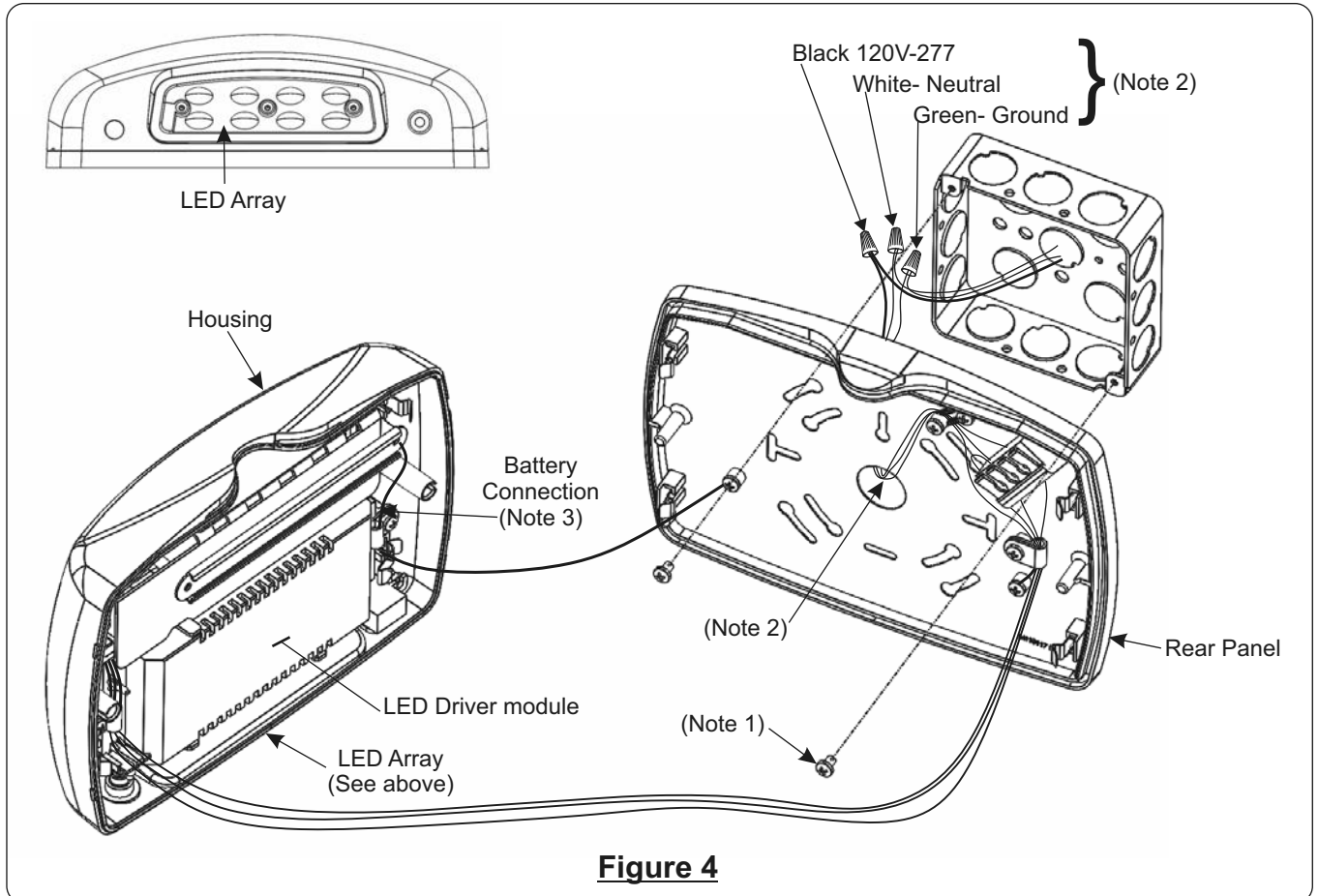
*NOTE: for wall switch functionality, refer to Section 8 for wiring details.*

3. For battery connection, plug battery's mating (male) plug into battery (female) receptacle on LED driver module.

4. Make correct heat pad connection if unit has heat pad option (See Section 9).

5. Turn on AC source power and press test button, proper function is indicated if LED array turns on.

6. For conduit mounting, remove NPT ½" (refer to Figure 3A), feed input source wires through the conduit and opening in rear panel into the unit. Secure the conduit to the rear panel then connect input power leads per step 2 above.



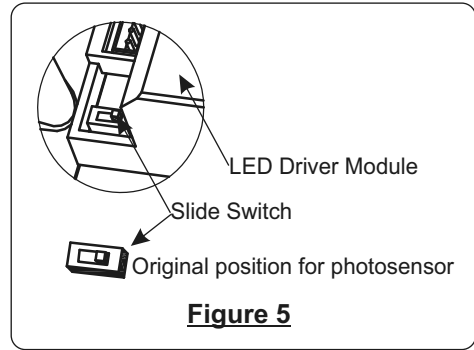
**Figure 4**

### **MAINTENANCE:**

Replace the batteries as needed according to ambient conditions. This product contains Ni-cad batteries. Used batteries may not be disposed of in the municipal solid waste stream. The batteries must be recycled or disposed of properly. For information on local recycling drop-off points, visit [www.call2recycle.org](http://www.call2recycle.org) or call toll free at 877-2-RECYCLE.

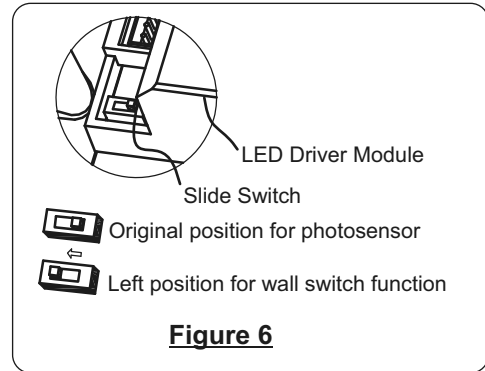
## SECTION 5: AC ONLY OPERATION WITH PHOTSENSOR

On the LED driver module, there is a slide switch that must be positioned to the right (factory default setting) to allow the unit to utilize the photosensor capabilities (and optional passive infra-red sensor).



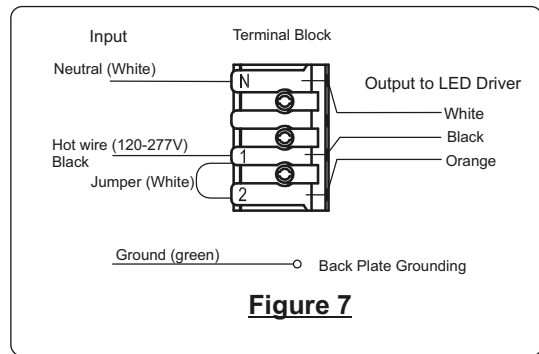
## SECTION 6: AC ONLY OPERATION WITH WALL SWITCH

For wall switch functionality, toggle the slide switch to the left position. This will disable the photosensor operation allowing the wall switch to turn the LED array on/off.



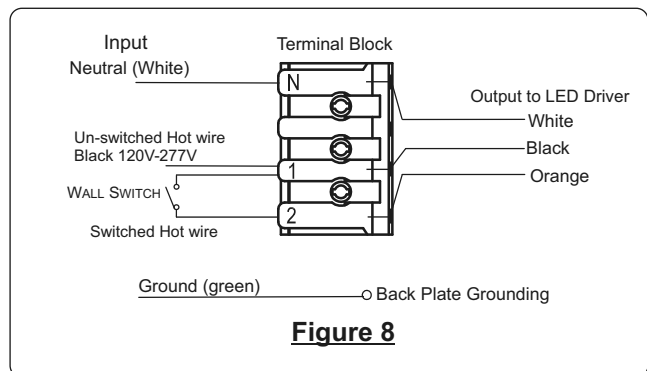
## SECTION 7: BATTERY BACKUP (EM OPERATION) WITH PHOTSENSOR

Battery backup (EM) units have the same on/off control as described in Section 2, refer to wiring details (Figure 7). Slide switch must be in original position (factory default setting) to utilize photosensor (Figure 5).



## SECTION 8: BATTERY BACKUP (EM OPERATION) WITH WALL SWITCH

Set slide switch to left position (see figure 6), remove jumper from terminal block and connect wall switch to Terminals 1 and 2. Terminal 1 is "hot unswitched lead", Terminal 2 is "hot switched lead" (Figure 8)



## SECTION 9: HEATER PAD CONNECTION INSTRUCTION

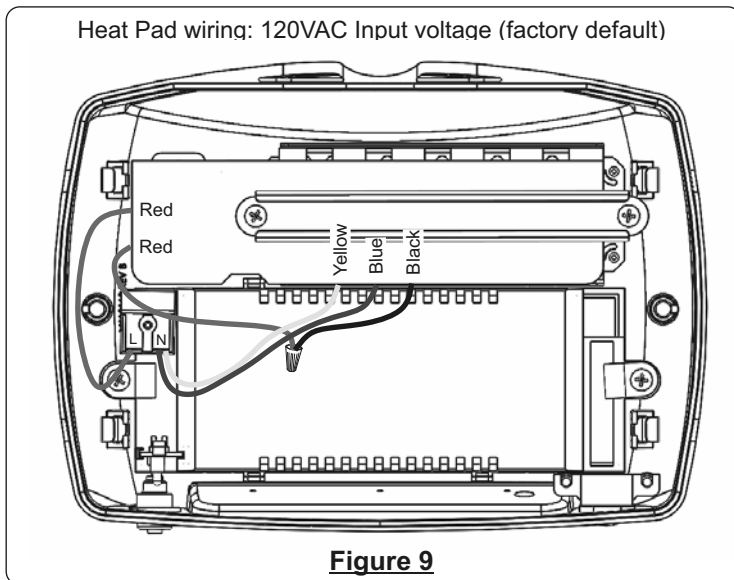
If unit heat pad option for cold weather, **INSTALLER MUST VERIFY AC INPUT SOURCE VOLTAGE TO DETERMINE APPROPRIATE WIRING PRIOR TO TURNING THE FIXTURE ON.**

Refer to the instructions below for voltage dependent instructions:

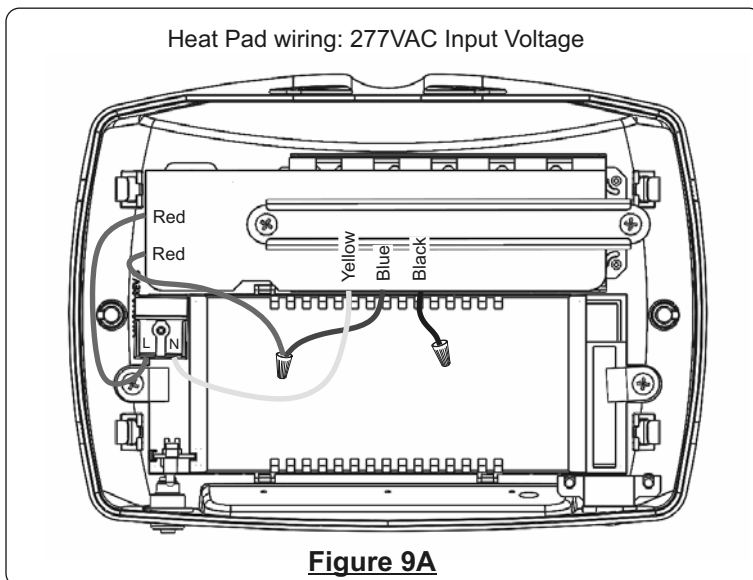


**WARNING:**  
**DAMAGE MAY OCCUR IF HEAT PAD IS WIRED INCORRECTLY FOR 277VAC OPERATION.**

1. For 120VAC operation, there is no need to change wiring within the unit. Heat pad has been connected for 120VAC input as a factory default setting ( Figure 9).



2. **FOR 277VAC OPERATION UNITS, HEAT PAD CONNECTIONS MUST BE CHANGED BY INSTALLER PRIOR TO TURNING UNIT ON.** Connect red wire (from LED driver module) and blue wire (from heat pad) using a wire nut and cap unused black wire (from heat pad) with wire nut (Refer to Figure 9A below).



## SECTION 10: SELF DIAGNOSTICS/ SELF -TESTING OPTION DIAGNOSTIC CODES

1. When AC Power is supplied to fixture, the unit will automatically initiate a self-test and self diagnostic test as follows:

- A). Verifies battery connection, charger board failure, lamp failure and transformer failure every 4 seconds.
- B). One minute self-testing every month.
- C). 90 minutes self-testing on the 12th month of each year after fixture has been installed.

2. Dual color LED lamp indicator shows the following status:

- A) Green Color: (ON/Ready); (Blinking: Testing)
- B) Red Color (Service Alert): see table below for Service alert LED code

O	One blink ON/Pause (4 Seconds)	Battery is not connected
OO	Two blinks ON/Pause (4 Seconds)	Battery is shorted or battery voltage drops below acceptable level
OOO	Three blinks ON/Pause (4 Seconds)	Charger board circuit fault
OOOO	Four blinks ON/Pause (4seconds)	Transformer Fault
OOOOO	Five Blinks ON/Pause (4Seconds)	Emergency Lamp fault

### CAUTION:

After resolving the fault error, press test button for 2 seconds without releasing to reset product to normal function. LED indicator will illuminate green if all faults have been cleared.

3. For manual Test, press test button the specified number of times indicated below within 2 seconds for the test duration required.

Press test button once	1 minute test
Press test button twice	5 minutes test
Press test button 3 times	30 minutes test
Press test button 4 times	90 minutes test

## SECTION 11: TESTING AND TROUBLE SHOOTING

To manually test battery backup (EM) units, use test switch to simulate AC power outage. The LED array will turn on and LED indicator will turn off. Release the switch to automatically restore AC/Battery charge mode. Units with Self Diagnostics/ Self test capabilities will automatically perform a self test and diagnostic function monthly. Self test will disable charger and turn on LED array to check the load, battery and transfer function. Test will be performed only if the battery is fully charged.

Testing for longer periods of time is best accomplished by turning off AC circuit power. Fixtures should be tested in accordance with the National Electric Code and NFPA Life Safety Code

NOTE: the batteries will take some time to reach full charge after a prolonged test, and the unit cannot provide full operation should a real power outage occur before the batteries recharges to full capacity. It is recommended that long duration tests be limited to once yearly, and be conducted when the area will be unoccupied afterwards.

### TROUBLE SHOOTING GUIDE:

If the LED array or indicator does not illuminate check the following:

1. Check AC Supply - verify that there is continuous power supplied to the fixture
2. Check if the unit may be shorted
3. Verify the battery leads are connected
4. If the battery was discharged, permit the unit to charge for 24 hours minimum then re-test
5. If the above checks do not resolve the issue, contact the factory for assistance.