

PROJECT NAME:	APPROVED BY:
CATALOG NO:	TYPE NO:

WEATHERWAY

High Performance with Aesthetic Appeal

Evenlite's new WeatherWay lights the way for your exit egress lighting needs, for both normal and emergency lighting usage. In normal operating mode, WeatherWay's 1530 lumen output is distributed along an elongated pathway via the purpose-designed optic lenses; in emergency mode, WeatherWay produces 600 lumens to light the way to safety with 60' spacing at 10' mounting height. The WeatherWay also features a full 90° cutoff for reduced direct glare and light pollution.

WeatherWay features a compact, smooth, low-profile, die-cast aluminum housing strategically curved and designed to blend unobtrusively with any architecture. IP65-certified, WeatherWay is available with temperature ratings from as low as -13°F on up to 122°F, making it ideal for either external wet locations or indoor usage.

Construction

- Quality Pressure Die-Cast Aluminum housing finished in durable polyester powder coat available in Bronze, White, Silver or Black Finish
- Latching stainless-steel spring clips snap locks housing to back plate for ease of installation without visible hardware
- Universal field selectable knockout mounting pattern with pre-applied gasket seal
- Optional 0.5" threaded conduit top entry
- Long-life silicone rubber seal
- Large surface area LED heat sinking for optimum LED longevity
- Self-contained electronics and battery
- Quick connect wiring terminal block
- EM models with low-profile sealed Push-to-Test switch
- Polycarbonate UV-resistant, one-piece optic lens assembly

Electrical

- Field Selectable 120 or 277 VAC 60 HZ input
- Standard Self-Test, Self-Diagnostics performs a monthly test and continuously monitors critical functions to ensure reliability. Manual test may be initiated by depressing the test switch at any time
- Externally accessible test switch includes coded flashing diagnostics LED indicator
- Field-selectable wall switch operation for remote normal use switching (defeats photocell operation)
- Solid-state switching power supply and class 2 driver provides high efficiency
- All models include field-selectable Photocell for dusk-to-dawn operation
- Standard AC only model operating temperature range -13°F to 122°F (-25°C to 50°C)



Silver Finish

- Standard EM Model operating temperature range 32°F to 122°F (0°C to 50°)
- Optional Cold Weather (CT) heater package extends operating range to -13°F to 122°F (-25°C to 50°C)
- Premium High Temperature Maintenance-Free Nickel Cadmium battery pack (EM Models) provides required 90 minutes emergency duration
- Power Consumption. EM models: Float charge mode without lamps illuminated 2 watts; Float charge mode with normal lamps illuminated 17 watts. Optional Cold Temperature model adds 15 watts intermittently (thermostat-controlled). AC only models: 17 watts
- Self-compensating solid-state Constant Current charger provides extended float life and rapid 24-hour recharge
- Zero current LVCO ensures positive charge acceptance following an extended battery discharge
- Brownout sensing assures emergency illumination during periods of low-line voltage

Illumination

- Eight LEDs produce 1530 lumens in normal (mains mode) and 600 lumens in emergency battery backup mode
- One Piece sealed polycarbonate lens contains eight LED's configured in two arrays of four. In the unlikely failure of an LED the remaining array of four LED's will continue to operate.
- 3000°K CCT, CRI ≥ 70, L70 > 72,000 hours
- 15-Watt high output array provides 48' spacing at 8' MH and 60' at 10' MH.
- See spacing guide
- CIE type: Direct, IES: Type 1 Short
- Design Lights Consortium® DLC Qualified: Outdoor Full Cutoff wall-mounted area luminaire

Certification

- Tested and Listed by Underwriters Laboratories in compliance with UL924 and CSA-C22.2 No. 141-15
- Nema-3R Rated for indoor/outdoor cold-weather and damp locations
- Meets or exceeds all performance standards as required by NFPA 101 Life Safety Code, NEC-70 and OSHA
- IP65 Certified by NTS
- California Title 20 Compliant



Warranty

- 5-Year Limited Warranty

ORDERING GUIDE – WW

Example: WW-EM-BZ-CT

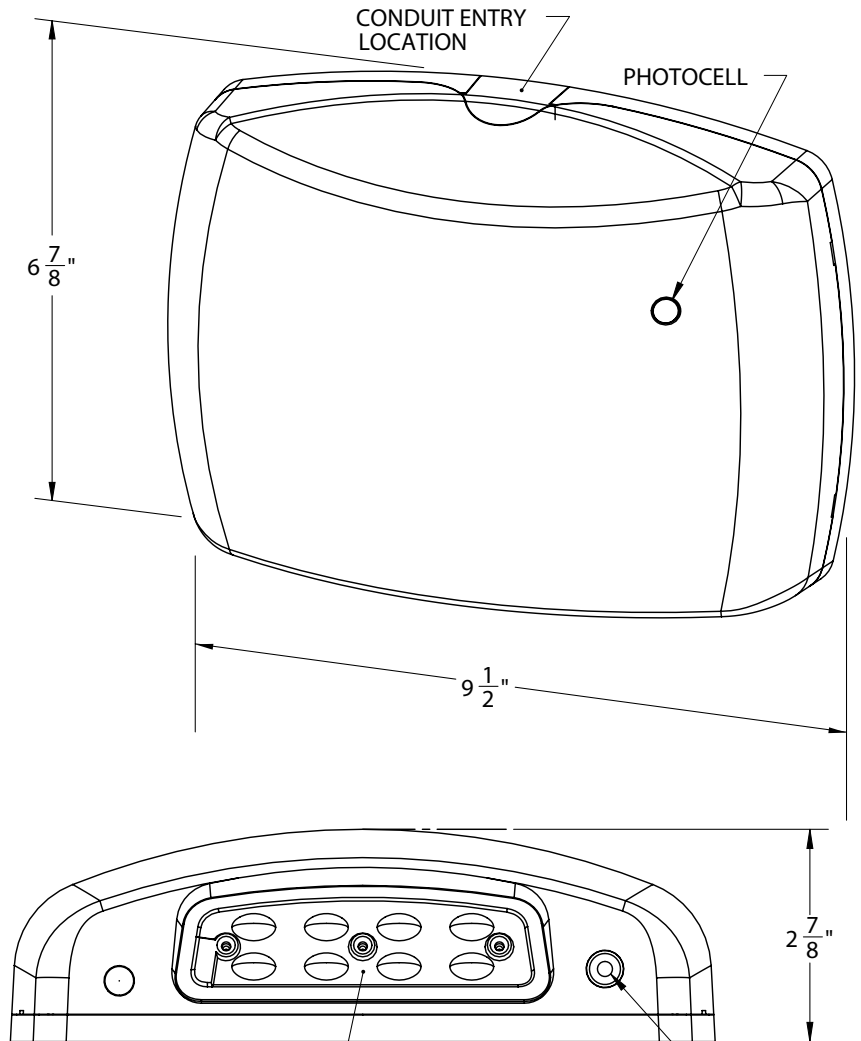
Model	Battery Type/Operation	Finishes	Options
WW	AC AC only operation with Photocell Activation EM Self-Contained Battery Back up with Photocell Activation <i>* NOTE: Photocell can be bypassed for optional remote switch or normally off standby emergency light</i>	BZ Bronze BK Black WH White SL Silver	CT Cold weather option to -25° C (EM models only) A250209 4000K Lens Array
WW			

Fill in fields from categories above and complete type and part number.

Type Number:

Full Part Number:

Weatherway – Low Profile Emergency Lighting



WeatherWay Emergency Mode Spacing Guidelines

- SPACE:** Outdoor 200' x 200' 1 wall
- EGRESS PATH:** 6' from wall
- REFLECTION:** Ceiling: 0 %
Wall: 30 %
Floor: 10 %
- ILLUMINANCE:** Ave. 1.0 FC
Min. .01 FC

Mounting Height	Spacing ft. (max) Center to Center
8'	48'
9'	55'
10'	60'
12'	53'
14'	45'

