

PROJECT NAME:	APPROVED BY:
CATALOG NO:	TYPE NO:

WIRE GUARD - FOR EXIT SIGNS AND EMERGENCY LIGHTS

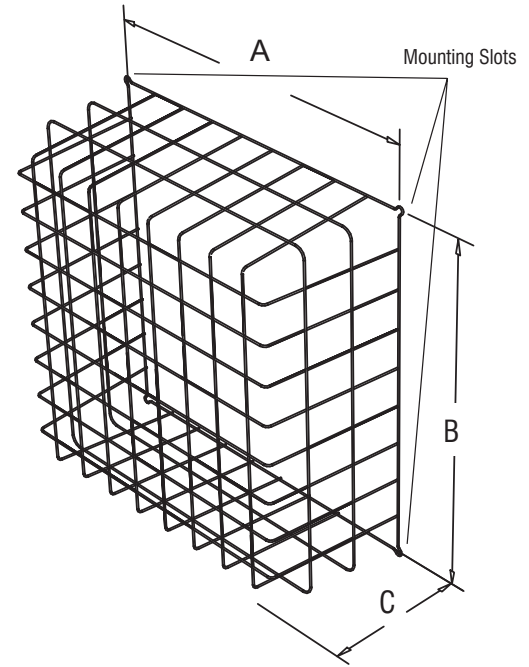
Evenlite Wireguards provide enhanced protection for emergency lighting equipment from physical damage. All are made from 18 gauge cold rolled steel and finished with a durable white baked powder coat paint for corrosion resistance. Ideal for use in gymnasiums, outdoor installations, loading docks, warehouses, schools and apartment complexes.

ORDERING GUIDE – WIREGUARD

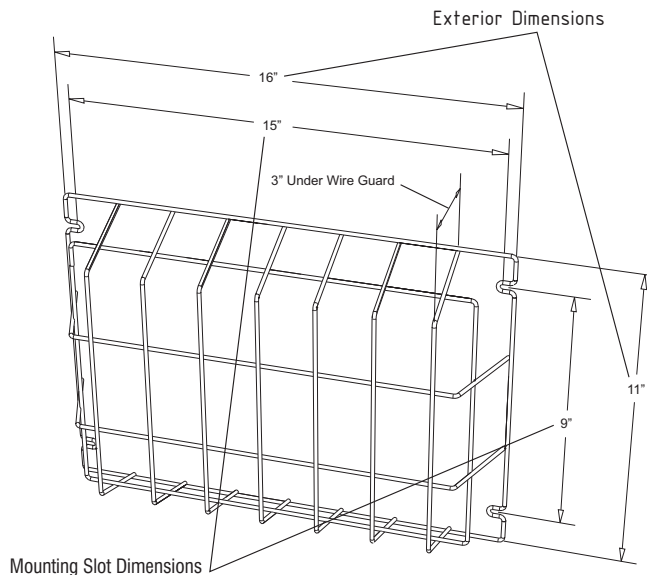
Model	Application	A - Dimensions	B - Dimensions	C - Dimensions
WG-4	TCL, TCLCA, TS & TR remotes	6.0"	8.0"	6.0"
WG-5	Small Cabinet Battery Units	15.75"	14.75"	6.75"
WG-6	Medium Cabinet Battery Units	20.0"	17.0"	12.0"
WG-7	Large Cabinet Battery Units	28.0"	21.0"	10.0"
WG-70	TSCT/TSMA exit ONLY	19.5"	13.0"	4.5"
M990005	TCXCOM, TLP, TLRC, TDCOM, TDNY	15.25"	13.5"	6.0"
M990010	RZR3, RZMR3, RCG3, CCDS, CCDMR, CDI, DCG, TLX, LEX, LL, SL, SLV	16.0"	11.0"	3.0"
<i>Note: M990005 and M990010 are not powder coated</i>				

Fill in fields from categories above and complete type and part number.

Type Number:	Full Part Number:
--------------	-------------------



Note: Not all wire guards are exactly as shown in the illustration



M990010 Wire Guard

- TLX
- CCDS
- RZR3, RZMR3 and RCG3
- CCDMR and CDMR
- LEX and LL
- SL, SLV, REC
- Sentry Custom Graphic
- CDI

Consult Evenlite for applications not shown here or other special applications