

PROJECT NAME:	APPROVED BY:
CATALOG NO:	TYPE NO:

## WRH

### Wet Location Remote Heads

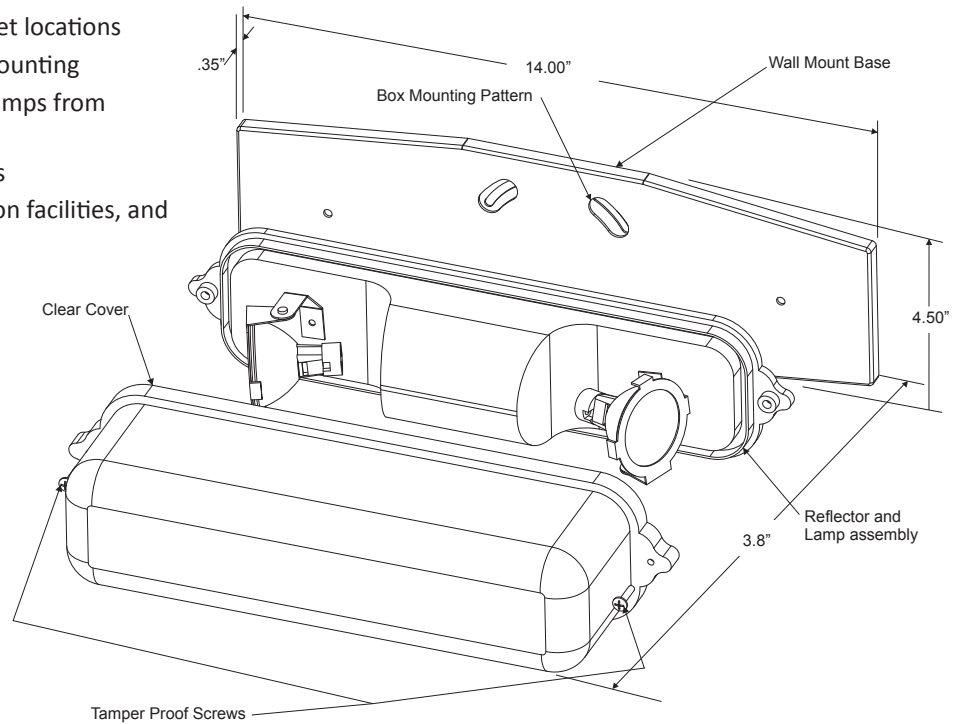
#### VANDAL RESISTANT

The Wet Location remote heads provide the quality construction of the standard vandal series enhanced with a 1/8" thick impact resistant injection molded polycarbonate shield. Ideal for wet locations and NEMA 4X requirements with an IP 66 rating, and for vandal resistant applications. Two LED lampheads provide emergency illumination powered from a



#### Construction

- 18-gauge cold rolled powder coated steel back mounting plate, white or black finish
- Rubber O-Ring gasket retained in a groove for wet locations
- Universal Mounting pattern for wall or ceiling mounting
- Polycarbonate protective lens shroud protects lamps from accidental or intentional abuse
- Stainless steel tamper resistant Torx head screws
- Suitable for use in schools, public areas, detention facilities, and anywhere that vandalism or abuse is a concern



#### ORDERING GUIDE – WRH

Example: WRH-L127-W

Model	Lamp Selection			Color
	6 Volt Lamps	12 Volt Lamps	24 Volt Lamps	
WRH	<b>L 65</b> 6 Volt 5 Watt LED <b>L 67</b> 6 Volt 7 Watt LED	<b>L 125</b> 12 Volt 5 Watt LED <b>L 127</b> 12 Volt 7 Watt LED	<b>L 245</b> 24 Volt 5 Watt LED <b>L 247</b> 24 Volt 7 Watt LED	<b>W</b> White (Standard) <b>B</b> Black (Optional)
WRH				

Fill in fields from categories above and complete type and part

Type Number:

Full Part Number:

WRH - 8/31/22