



# EVENLITE

LIFE SAFETY LIGHTING SOLUTIONS

## **SOVEREIGN SOV SERIES DIE CAST ALUMINUM LED EDGELIT EXIT SIGN**

### **INSTALLATION AND OPERATING INSTRUCTIONS**

#### **IMPORTANT SAFEGUARDS**

When using electrical equipment, basic safety precautions should always be followed including the following:

#### **READ AND FOLLOW ALL SAFETY INSTRUCTIONS**

1. Do not use outdoors.
2. Do not mount near gas or electric heaters.
3. Equipment should be mounted in locations and at heights where it will not readily be subject to tampering by unauthorized personnel.
4. The use of accessory equipment not recommended by the manufacturer may cause an unsafe condition.
5. Do not use this equipment for other than intended use.
6. Supply connections must be made either inside the junction box for surface mount or the splice box in the recessed mount backbox.
7. Install using recommended junction box only.
8. Servicing of this equipment should be performed by qualified service personnel.

#### **SAVE THESE INSTRUCTIONS**

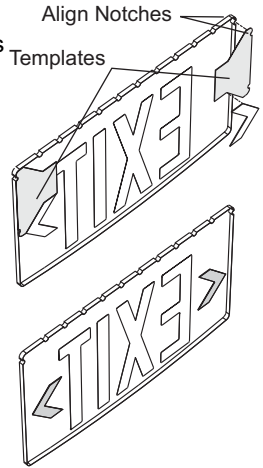
**2575 Metropolitan Drive • Trevose • PA 19053 U•S•A**

**Telephone: (215) 244-4204 • Fax: (215) 244-4208**

## DIRECTIONAL INDICATORS

Directional Indicators (Chevrans) are supplied with some signs as requested and are to be affixed at installation, using templates provided. Determine where the Directional Indicator(s) are to be placed in the installation, taking note as to how the fixture will be mounted and in which direction the chevrons are to point. The templates are to be temporarily adhered to the back (printed) side of the Legend Panel on single face signs, with the white tacky surface in contact, as shown on the attached diagram. Remove backing from Directional Indicator and adhere to the back (printed) side of the Legend Panel in the location determined by the template. For White, Mirrored or Double Face panels, adhere chevrons to front face. Ensure that the surface is clean, air bubbles are removed and good contact is achieved.

This sign shall be installed only where there is adequate color contrast between the sign legend and the interior wall finish behind the sign, to provide for sufficient visibility.



## RECESSED CEILING MOUNT

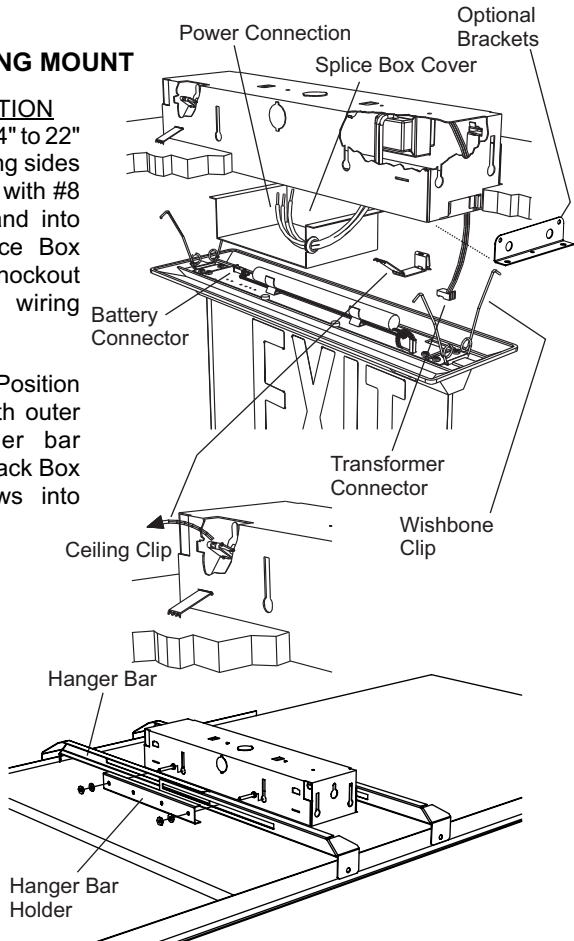
### INSTALLATION OF ROUGH-IN SECTION

Hanger bars are adjustable from 13 1/4" to 22" and may be mounted on either the long sides or the ends of the Back Box. Attach with #8 screws from inside, through slots and into hanger bar holder. Remove Splice Box Cover, select and remove desired knockout for AC power input. Refer to wiring instructions below.

Cut 3 5/8" x 14 1/2" hole in ceiling. Position Back Box with open edges flush with outer surface of ceiling. Fasten hanger bar assembly to either ends or sides of Back Box by tightening four mounting screws into hanger bar holder.

**WOOD JOISTS** - Adjust hanger bars to fit against joists. Drive nails into wood.

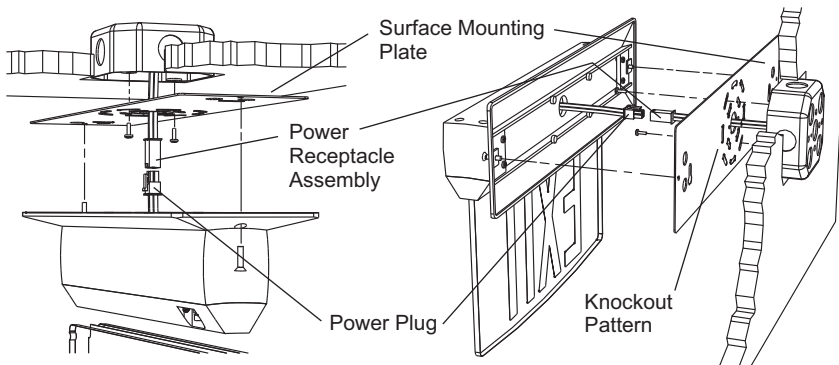
**SUSPENDED CEILING** - Snap ends of hanger bars over T-bar rails and fasten with screw. To secure Back Box to ceiling material, insert four ceiling clips into slots provided in sides of Back Box.



### INSTALLATION OF FIXTURE INTO ROUGH-IN SECTION

Position fixture with desired orientation. Squeeze spring wires of one "Wishbone" clip and insert into formed legs at one end of Back Box. For Battery Back-up (Self Powered) sign, plug battery connector and transformer connector into plugs on Printed Circuit Board. Attach Power Plug into power receptacle assembly wired as per wiring instructions below. Insert second "Wishbone" clip into remaining formed legs in Back Box and push fixture flush with ceiling.

### **SURFACE CEILING / WALL MOUNT**



### INSTALLATION OF SURFACE MOUNTING PLATE

Wire power receptacle assembly to AC supply as per wiring instructions below. Remove two keyhole knockouts from Surface Mounting Plate. Locate, align and mount Surface Mounting Plate to junction box and secure to wall with screws through keyhole slots into suitable wall fastening devices.

### INSTALLATION OF FIXTURE TO SURFACE MOUNTING PLATE

Attach Power Plug to receptacle and push back into fixture. Fasten fixture to surface mounting plate with a screws supplied.

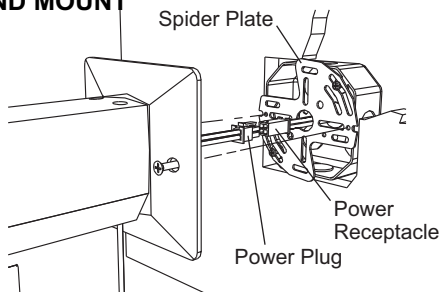
### **SURFACE END MOUNT**

### INSTALLATION OF JUNCTION BOX and SPIDER PLATE

Surface End Mount requires a 4" Octagon Junction Box to be securely mounted in the wall. The box should be rigidly supported to the wall framework with either brackets or studs. Wire power receptacle assembly to AC supply as per wiring instructions below. Securely fasten spider plate to junction box with the two 8-32 tapped holes parallel to the floor.

### INSTALLATION OF FIXTURE TO SPIDER PLATE

Attach Power Plug to power receptacle and push back into fixture. Fasten fixture to spider plate with countersunk screws supplied.



### **WIRING**

Connect Power Receptacle to AC supply per local codes.

**Black Lead for 120V or Orange Lead for 277V** CAP UNUSED LEAD

**White Lead for Neutral**

**Green/Yellow Lead for Ground**

## SWIVEL PENDANT MOUNT ASSEMBLY

Thread tapped half-ball on to one end of pendant tube and lock firmly in place with one square nut provided.

Insert other end of pendant tube through cross bar bracket so that half-ball is inside hat section of cross bar bracket.

Insert same end of pendant tube through center hole of canopy / cover so that cross bar bracket will be on inside of canopy / cover.

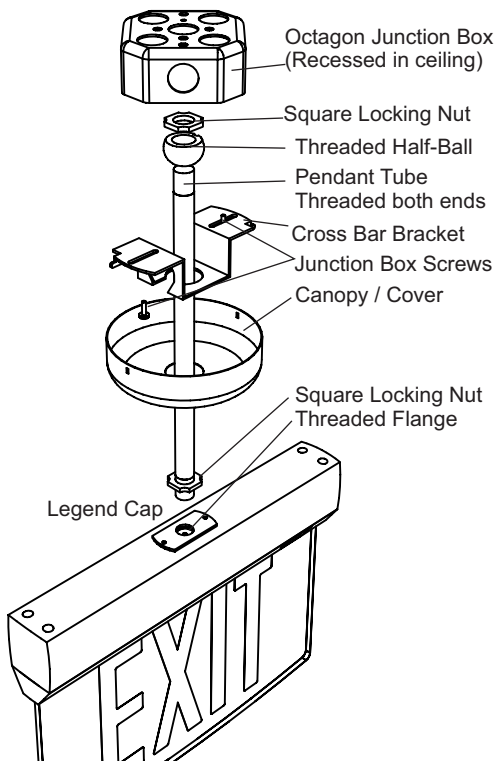
Thread one provided square locking nut on to fixture end of pendant tube with flat side toward fixture. Snake wires up through pendant tube.

Screw pendant tube on to threaded flange on legend cap. Do not tighten lock nut yet.

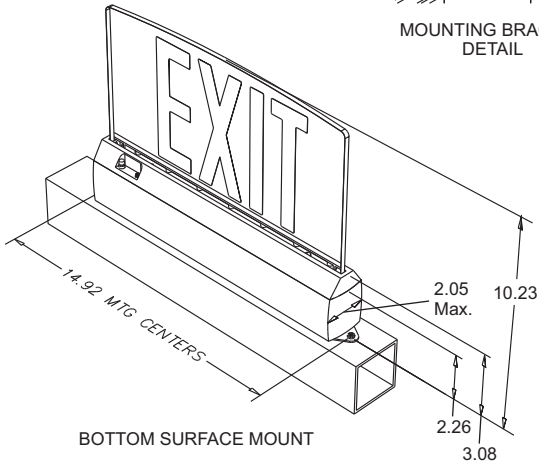
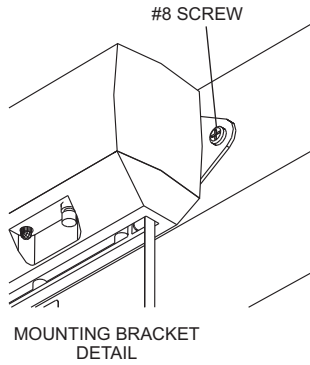
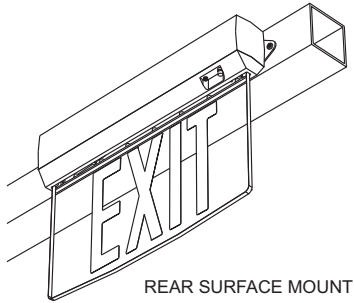
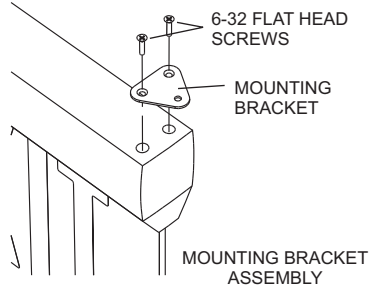
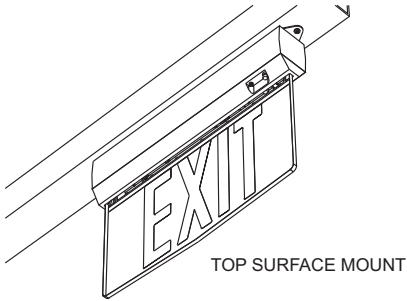
Attach cross bar bracket to junction box with junction box screws (not provided). Threaded half-ball groove must be registered on tab in cross bar to prevent unwanted rotation of pendant tube assembly.

Connect wires according to local codes.

Position canopy cover over cross bar and snap in place by aligning slots in cover over protruding tabs on cross bar bracket. Adjust direction of exit sign and tighten lock nut.



# MOUNTING BRACKET ASSEMBLY FOR MULLION INSTALLATION



### **TWO CIRCUIT INPUT OPTION (AC VERSIONS ONLY)**

For AC versions with two circuit input, connect power to both the **Main** input and the **Backup** input. Note that both the main and backup voltage must be as specified for the particular TWO CIRCUIT OPTION as ordered. Connect to the **Black leads** for 120V or **Orange** leads for 277V, and **White** lead for Neutral.

For connection to a single source of supply such that all lamps are simultaneously illuminated.

### **FLASHER / FIRE ALARM / BUZZER OPTIONS**

Battery Backup Signs equipped with FLASH IN EMERGENCY MODE OPTION or BUZZER IN EMERGENCY MODE option will automatically flash/beep in emergency mode but not flash/beep on AC operation. AC Only signs equipped with the flash or buzzer options will flash/beep continuously while power is supplied.

AC Only and Battery Backup signs equipped with the FIRE ALARM SIGNAL MODE FLASH or BUZZER options will automatically flash/beep in both AC and emergency modes upon application of a fire alarm signal to the YELLOW 18 AWG leads. The fire alarm signal can be either AC or DC of either polarity, and range from 12 to 24 volts. The current draw from the fire alarm signal is less than 10 milliamps.

Units that include one of the above options, are intended for installation in locations where such features are permitted by local codes. Flash Rate: 60/min Duty Cycle: 50%

**REAPPLY POWER AND NOTIFY THE AUTHORITY HAVING JURISDICTION**

## **TEST FOR BATTERY BACKUP WITHOUT SELF-TEST / SELF-DIAGNOSTICS**

To test (EM) Battery backup units, use test switch to simulate AC power outage. The indicator light will go out, and the sign will remain lit, indicating transfer to emergency mode; and remain lit on battery power until switch is released. Release of switch will automatically restore AC/battery charge mode, with indicator light on. Testing for longer periods is best accomplished by turning off AC circuit power. Signs should be tested in accordance with National Electric Code and NFPA 101 Life Safety Code requirements which specify monthly testing for 30 seconds and yearly testing for 90 minutes. Note that the batteries will take some time to reach full charge after a prolonged test, and that the unit cannot provide full duration operation should a real power outage occur before the batteries have had an opportunity to reach full charge. It is recommended that long duration tests be limited to once yearly, and be conducted when the area will be unoccupied afterwards.

## **SELF-TESTING / SELF DIAGNOSTIC OPERATING INSTRUCTIONS**

This unit meets the requirements of NFPA 101 for Periodic Testing of Emergency Lighting Equipment. It provides visual indication of unit malfunctions including Battery Fault, Charger Fault, Transfer Fault and Lamp Fault.

### **STATUS INDICATIONS SHOWN ON FOLLOWING PAGE**

#### **SELF-TEST**

The unit will perform a self-test and diagnostic function at least once every 28 days. The self-test will disable the charger and turn on the LEDs for 5 minutes to check the lamp load and battery. The test will be performed only if the battery is fully charged. If not, the test will automatically reschedule. Charger function is monitored continuously.

#### **USER-TEST**

A User-Test may be performed at any time the status display is continuous green. On initial power-up, it could take up to 72 hours for the status display to reach continuous green.

With a fully charged battery, pressing the test switch momentarily will initiate a 30 second test. Pressing the test switch continuously for 4 seconds and releasing it will initiate a 90 minute test.

Either test can be cancelled by pressing the test switch again for 1 second.

#### **REMOTE EXIT OPERATION**

The self-diagnostic system “learns” the exit load when the unit reaches its first full charge. It is therefore necessary to have any remote exits already connected when first applying AC power. Subsequent self-tests and user-tests will compare the actual exit load to the “learned” value.

If the remote exit load is changed once it has been learned, it is necessary to disconnect AC power at the circuit breaker panel and unplug the internal battery. Once these are reconnected, the unit will “learn” the new exit load.

#### **INFRA RED REMOTE TESTING**

To activate TRANSMITTER, remove tab from back of device.

The USER-TEST can be performed up to 20 feet away using the optional “INFRA RED REMOTE TESTING TRANSMITTER”. By aiming the TRANSMITTER at the legend face, and pushing either the “30 SECOND” or “90 MINUTE” button for 1 second, all the “TEST SWITCH” functions can be performed.

## STATUS INDICATIONS

| STATUS DISPLAY                 | FUNCTION                          | ACTION                                       |
|--------------------------------|-----------------------------------|--|
| Continuous Green               | Battery in Float/Trickle Charge   | None   |
| Continuous Red                 | Battery High Charging             | Wait for Green Status                        |
| Flashing Green                 | In Test Mode                      | Wait for Test to Complete                    |
| Alternate Red and Green        | Insufficient Charge for User Test | Wait for Full Charge                         |
| Red<br>One Blink ON / Pause    | Transfer System Failure           | Factory Service                              |
| Red<br>Two Blinks ON / Pause   | Battery Failure                   | Check Connections<br>Replace Battery         |
| Red<br>Three Blinks ON / Pause | Charger Failure                   | Factory Service                              |
| Red<br>Four Blinks ON / Pause  | Lamp Failure                      | Check Remote Connection /<br>Factory Service |

### BATTERY REPLACEMENT

To replace battery, disconnect branch circuit, detach unit from junction box, and cut plastic strap securing battery inside power supply chassis. Unplug battery connector from Printed Circuit assembly. Replace battery only with part number B310013.

This product contains Ni-Cd batteries. Used Ni-Cd batteries may not be disposed of in the municipal solid waste stream. Ni-Cd batteries must be recycled or disposed of properly. For information on local recycling drop-off points, phone toll free 1-800-BATTERY.