

PURE WAVE TECHNOLOGY

Mini Emergency Power Source

Catch The Wave

A pure sine wave inverter delivers a waveform identical to the output of a utility, in some cases even superior to it because of reduced THD (Total Harmonic Distortion). By replicating utility power, pure sine wave inverters guarantee compatibility for all LED, Fluorescent and Incandescent lighting loads.

Fully Featured

Evenlites PWT Mini is packed with cutting edge features that include three distinct output types, UL-924 approved Self-Testing and Self-Diagnostics, battery low level indication, power-up diagnostics to check for common wiring errors and 16 distinct major and minor alarms just to name a few. Coupled with options like Infrared receiver for remote testing, time delay for HID applications and a sonic alarm the PWT Mini is unlike any inverter in its class.

Unlike self-contained battery packs which install within the luminaires the PWT is installed remotely for ease of maintenance, testing and battery longevity. Full light output also results in higher illumination levels and increased spacing.

Sine Here

Don't take chances! Pure sine wave technology is 100% LED compatible, modified sine wave technology is not.

Pure Wave Mini

The Pure Wave Mini packs exceptional functionality into a compact housing, available in 125 & 250 Watt capacities. This unit is LED compatible and features code-compliant Self-Testing and Self-Diagnostics capabilities.



Pure Wave Recessed

Delivers all the features offered by the Pure Wave Mini 125 and can be installed in areas where low-profile functionality is required.



Pure Wave T-LINE

T-Line matches the mini 125 on features and has been specifically designed for use with T-bar ceilings – blends in beautifully.

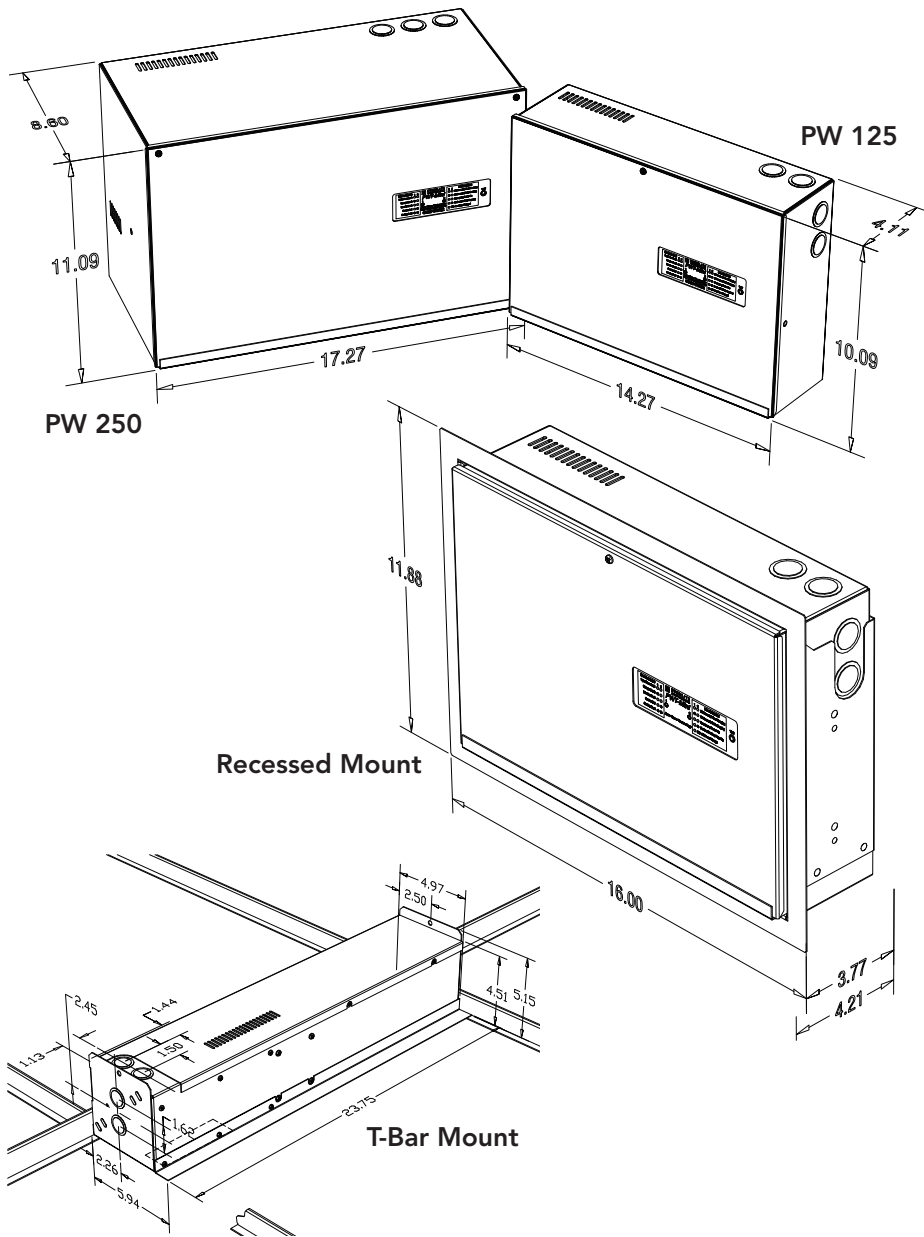


MAJOR ALARMS		EVENLITE <small>LIFE SAFETY LIGHTING SOLUTIONS</small>		LED INDICATION		TEST
Input Fuse Fault	1 2	1 2		AC Present / Float Charging	●	
Charger Fault	●	●		AC Present / Bulk Charging		
Inverter Fault	●	●	Pure Wave Mini Inverter	Emergency Power On	●	
Overloaded	●	●		Reduced Battery Capacity	●	
Startup Fault	●	●		10% Load Change	●	



About Evenlite

Since 1993, Evenlite Inc. has designed, manufactured, and marketed emergency lighting products for discerning customers worldwide. Beginning with our patented use of LED technology, Evenlite has consistently led the market with innovative products that deliver unparalleled performance and a sophisticated aesthetic. Today, Evenlite continues to develop new ways to provide its customers with sustainable products that enhance the beauty of their projects.



Specifications

INPUT

Voltage	120 or 277 VAC model dependent
Current	2.7A (120V), 1.2A (277V) for 250 Watt Model (Max Output, Max Charge) 1.4A (120V), 0.6A (277V) for 125 Watt Model (Max Output, Max Charge)
Frequency	60Hz +/- 2 Hz
Protection	PCB mounted fast acting 5x20 mm fuse
Power Factor	0.5 lead to 0.5 lag

OUTPUT

Voltage	120 or 277 VAC model dependent
Current	2.08A (120V), 0.9A (277V) for 250 Watt Model 1.04A (120V), 0.45A (277V) for 125 Watt Model
Frequency	60Hz +/- 0.02 Hz crystal controlled during emergency mode
Overload	110 percent will generate overload fault
Transfer Time	50 msec
Output Distortion	Less than 3% THD
Crest Factor	2.5 for 125 and 250W model
Load Power Factor	0.5 lead to 0.5 lag
Output Types	Normally On, Normally Off and Maintained Outputs

BATTERY

Type	Valve-Regulated sealed lead-calcium.
Charger	3 rate with Temperature Compensation
Recharge Time	24 Hour recharge standard
Protection	Automatic Low Voltage Disconnect (LVD) set at 1.67 VPC Automatic restart upon utility return
Runtime	90 Minutes at 25 deg. C
DC Voltage	12/24 VDC Nominal, 2.27 VPC float, temperature compensated
DC Current	12.5A Nominal for 125/250 Watt model respectively

ENVIRONMENTAL

Operating Temp	20 to 30 degrees Centigrade
Storage Temp	-20 to 70 degrees Centigrade (Electronics) 0 to 40 degrees Centigrade (Batteries)
Relative Humidity	<95% (non-condensing)

PHYSICAL

Cabinet	NEMA Type 1 enclosure, 18 AWG powder coated CRS
Cooling	Natural Convection —No fans

PW ORDERING GUIDE

Model	VA Rating	Battery Type	Input/Output Voltage	Options
PW	12 125 VA 25 250 VA	LC Lead Calcium (standard)	V1 120/120 VAC V2 277/277 VAC	AA Audible Alarm CL Listed to CSA C22.2 No. 141-10 IR Infrared Receiver for Remote Testing RT Remote Infrared Test Receiver TLRT Infrared Remote Hand Held Transmitter (order separately) RE Recessing Frame for Wall Recessed (125 watt only) TB T-Bar mount housing (125 watt only) TD 15 Minute Time Delay UP Shipped Less Battery

Example: PW-25-LC-V2-TD



ARRA Compliant
for Levels 1 & 2

