
INSTRUCTIONS

IMPORTANT SAFEGUARDS

When using electrical equipment, basic safety precautions should always be followed including the following:

1. **READ AND FOLLOW ALL SAFETY INSTRUCTIONS**
 2. Disconnect power before performing work on electrical equipment.
 3. Do not use outdoors.
 4. Do not let power cords touch hot surfaces and do not mount near gas or electric heaters.
 5. Use caution when servicing batteries. Battery acid can cause burns to skin and eyes. If acid is spilled on skin or eyes, flush with fresh water and contact a physician immediately.
 6. Equipment should be mounted in locations and at heights where unauthorized personnel will not readily subject it to tampering.
 7. The use of accessory equipment not recommended by manufacturer may cause an unsafe condition, and will void the unit's warranty.
 8. Do not use this equipment for other than its intended purpose.
 9. Servicing of this equipment should be performed by qualified service personnel.
 10. **SAVE THESE INSTRUCTIONS!**
-

INSTALLATION

1. Extend 24 hour AC supply of rated voltage (see product label) to an electrical box installed in the location and orientation where the exit canopy can be mounted to it. Leave at least eight (8) inches of slack wire. The circuit should not be energized at this time - do not energize the AC supply until indicated.
2. Remove plastic bag surrounding exit and put on the plastic gloves located inside the bag before handling the sign directly (to protect against smudges and smears).
3. Remove the directional chevrons/arrows included in the bag and add to the sign as needed for your installation. The chevrons can be peeled of the backing paper and will self-adhere to the sign. See Chevron Placement Template.

MOUNTING

- a. Exit sign internal wiring is already pulled into the canopy and all wires are labelled. Connect AC supply per diagram provided (Figure 1) . Insulate unused wire! CAUTION! - Failure to insulate unused wire may result in a shock hazard or unsafe condition as well as equipment failure.
- b. To change mounting type from ceiling mount to wall mount rotate canopy 90° (Figures 6, 7, 8) .
- c. Secure the exit to the electrical box with two screws (not supplied) through the mounting holes in the canopy (Figures 3 & 5) .
4. Energize power to fixture. The LEDs board inside will light and the EXIT faceplate will now be illuminated.

SELF-POWERED:

1. For self-powered models, plug the battery into the circuit board per (Figure 1) self-powered sign.
-

MAINTENANCE

1. Manufacturer strongly recommends testing and maintenance in compliance with all Code requirements.
2. Clean faceplates/lenses on a regular basis.

CAUTION: Always turn off AC power before servicing. The servicing of any parts, should be performed by qualified service personnel. The use of replacement parts not furnished by manufacturer may cause equipment failure and will void the warranty.

TROUBLESHOOTING

EXIT SIGN DOES NOT COME ON AT ALL

- i. Check AC supply - be sure unit has 24 hour AC supply (unswitched).
For Self-Powered
- ii. AC supply is OK, and indicator light is out, replace PC Board Assembly.
- iii. This could be the result of a switched AC supply to the unit (which has been turned off at some point).

SAVE THESE INSTRUCTIONS

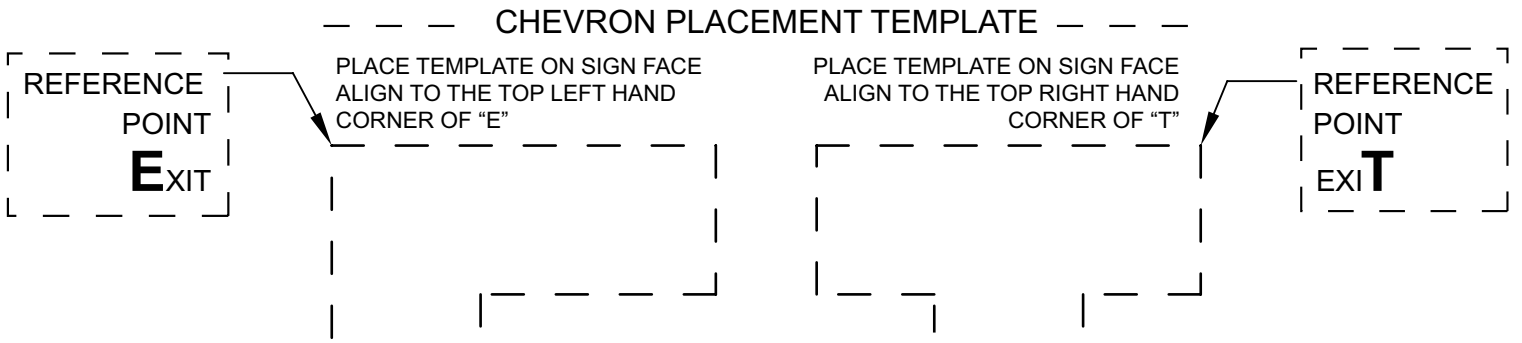


Figure 1

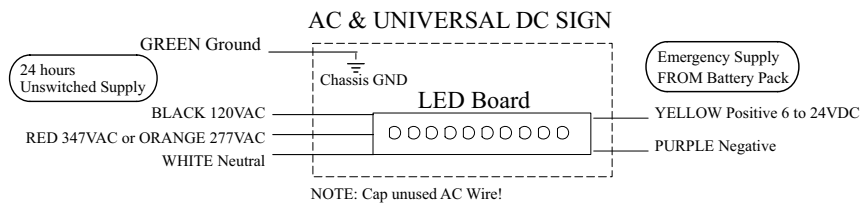
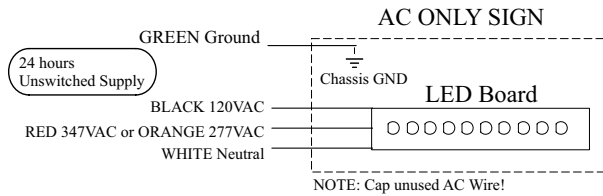
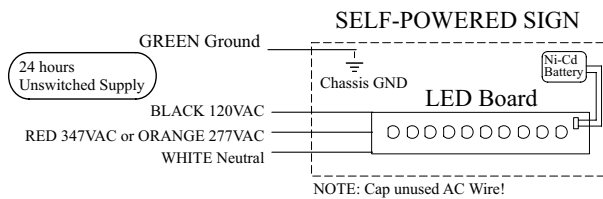
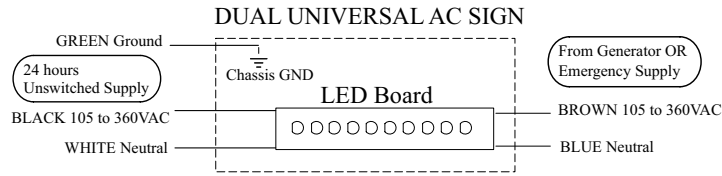


Figure 2

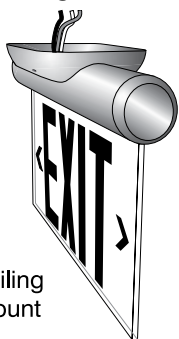


Figure 3

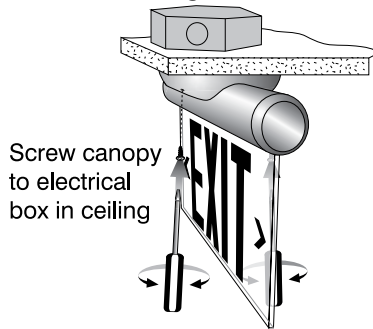


Figure 4



Figure 5

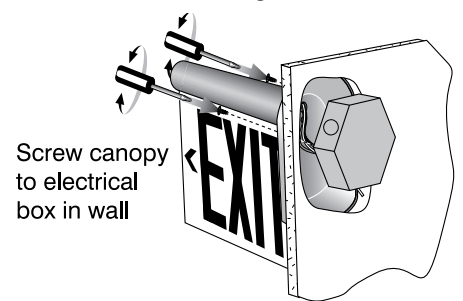


Figure 6

For Self-Powered

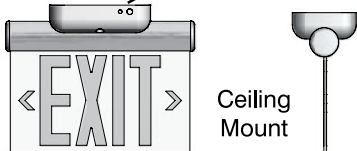


Figure 7

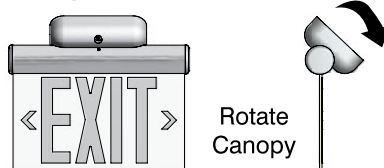


Figure 8

