



MIRRORLITE

RECESSED EMERGENCY LIGHTING

INSTALLATION AND OPERATING INSTRUCTIONS

IMPORTANT SAFEGUARDS

When using electrical equipment, basic safety precautions should always be followed including the following:

READ AND FOLLOW ALL SAFETY INSTRUCTIONS

1. Before wiring to power supply, disconnect power at fuse or circuit breaker.
2. Disconnect A.C. power before servicing.
3. Refer to wiring instructions sheet for proper connections.
4. Consult your local building code for approved wiring and installation.
5. Do not use outdoors.
6. Do not mount near gas or electric heaters.
7. Equipment should be mounted in locations and at heights where it will not readily be subject to tampering by unauthorized personnel.
8. The use of accessory equipment not recommended by the manufacturer may cause an unsafe condition.
9. Caution: Halogen cycle lamps are used in this equipment. To avoid shattering: Do not operate lamp in excess of rated voltage, protect lamp against abrasion and scratches and against liquids when lamp is operating, dispose of lamp with care.
10. Halogen cycle lamps operate at high temperatures. Do not store or place flammable materials near lamp.
11. Do not use this equipment for other than intended use.
12. Servicing of this equipment should be performed by qualified service personnel.

SAVE THESE INSTRUCTIONS

3161 State Road • Bensalem □ PA 19020 U□S□A

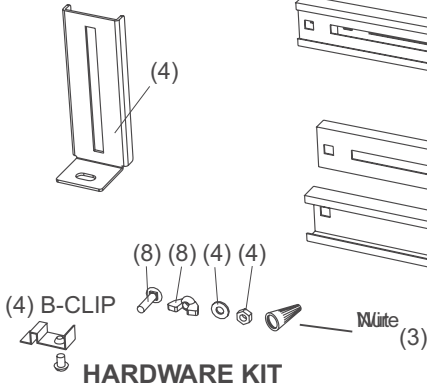
Telephone: (215) 244-4204 □ Fax: (215) 244-4208

www.evenlite.com

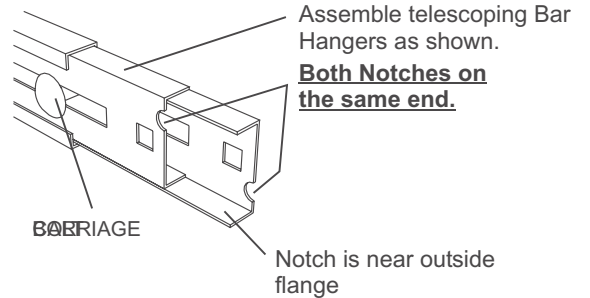
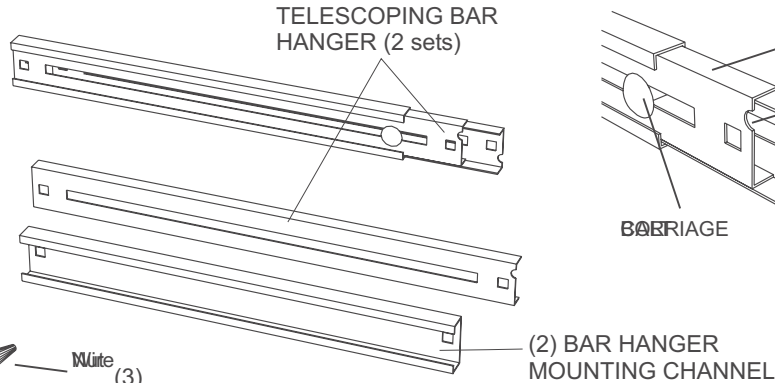
BACKBOX INSTALLATION

DO NOT INSTALL SHELF INTO BACKBOX UNTIL WIRING IS COMPLETE

MOUNTING BRACKET



BAR HANGERS

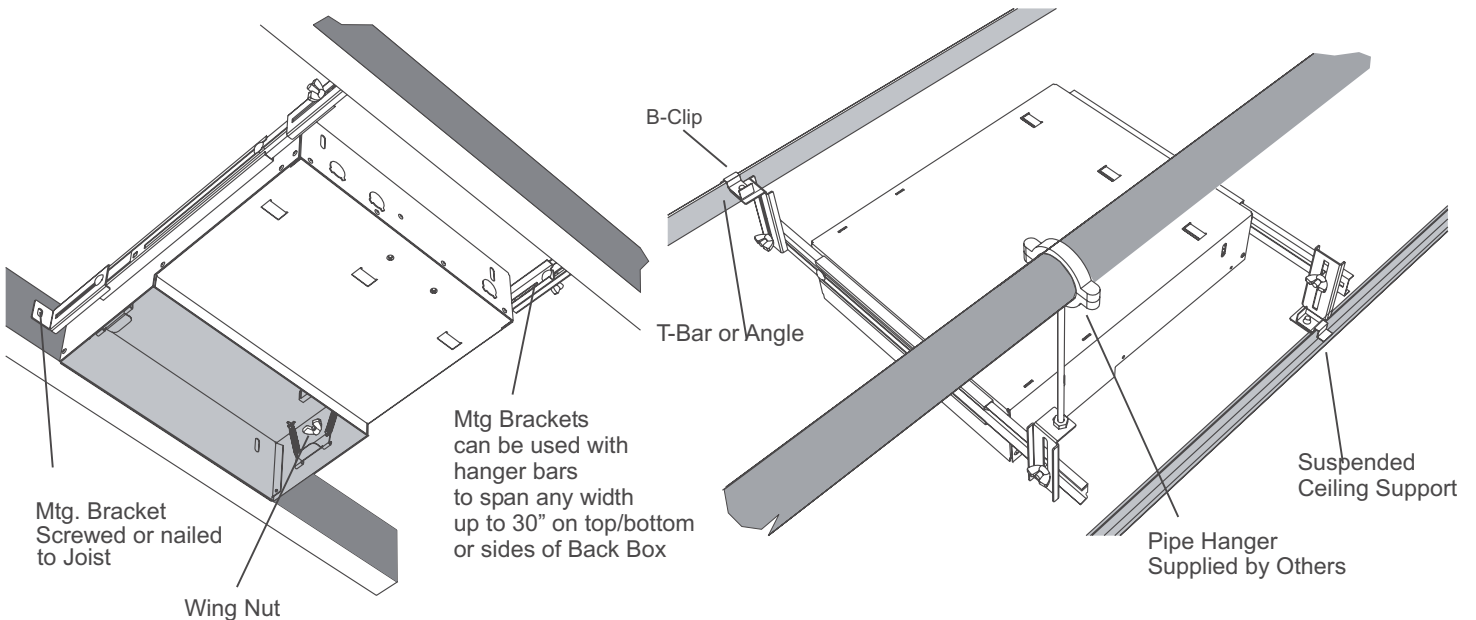


ROUGH-IN CEILING MOUNT

Bar Hangers are adjustable from 13-1/2" to 30"

SUPPORTING MEMBERS MUST BE ABLE TO SUPPORT A LOAD OF AT LEAST 50 LBS.

Attach Bar Hangers to backbox sides or top/bottom using carriage bolts and wing nuts supplied. Wing nuts should be inside backbox if height adjustment will be necessary from below ceiling. If access for height adjustment will be available from above, wing nuts should be outside backbox.



WOOD JOIST

Attach Mounting Brackets directly to Back Box or if additional length required, to Bar Hangers as shown and adjust Bar Hangers to fit against joists. Fasten to joists with nails or screws

SUSPENDED CEILINGS

Attach Mounting Brackets and B-clips to Bar Hangers as shown and fasten securely to T-bars, angles, or pipe hangers.

ROUGH-IN WALL MOUNT

Attach Bar Hangers to backbox top and bottom using carriage bolts and wing nuts supplied. Wing nuts should be inside backbox.

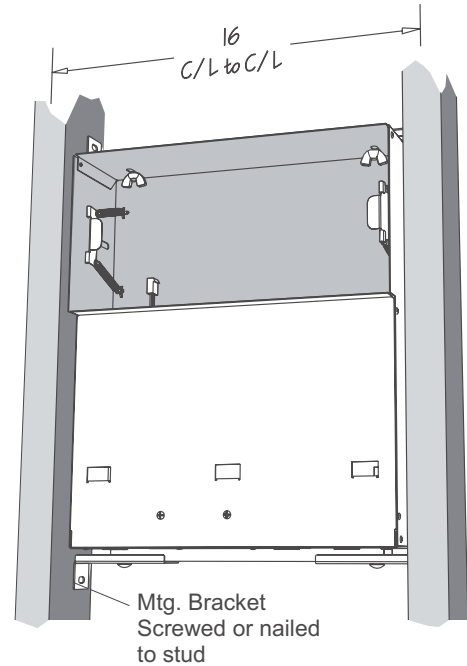
Align backbox so lamphead opening is flush, or slightly behind inner surface of wall material.

WOOD STUDS:

Fasten Mounting Brackets to ends of Bar Hangers as shown and adjust to fit against studs. Secure with nails or screws supplied by others.

METAL STUDS:

Installation is the same as for wood studs except that sheet metal screws (supplied by others) should be used to fasten the hanger brackets to the studs. These screws should have a minimum pullout rating of 50 pounds.



CLOSE-IN CEILING OR WALL MOUNT

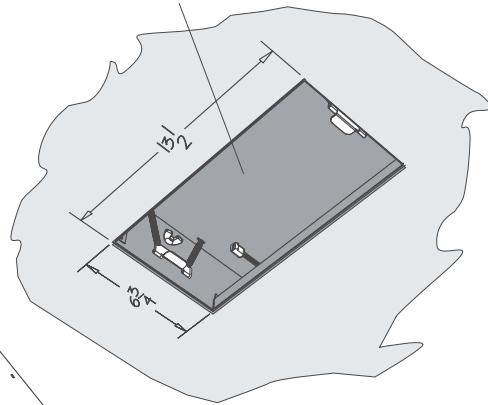
DRY WALL:

Cutout hole in ceiling material should be 13-1/2" by 6-3/4". Align backbox so lamphead opening is flush, or slightly behind lower ceiling surface.

WET WALL:

Plaster flush up against lamphead opening.

Lamphead wall opening



WIRING INSTRUCTIONS

DE-ENERGIZE BRANCH CIRCUIT AT BREAKER PANEL

Select and remove desired knockout(s) for AC power input with at least 12" of AC power leads extending into inside of backbox. Secure cable with approved wire clamp and make connections using wire nuts supplied. Connect wires per local codes. Connect to transformer as follows:

BLACK Lead for **120V** or **ORANGE** Lead for **277V** (CAP UNUSED LEAD) **WHITE** Lead for **Neutral**

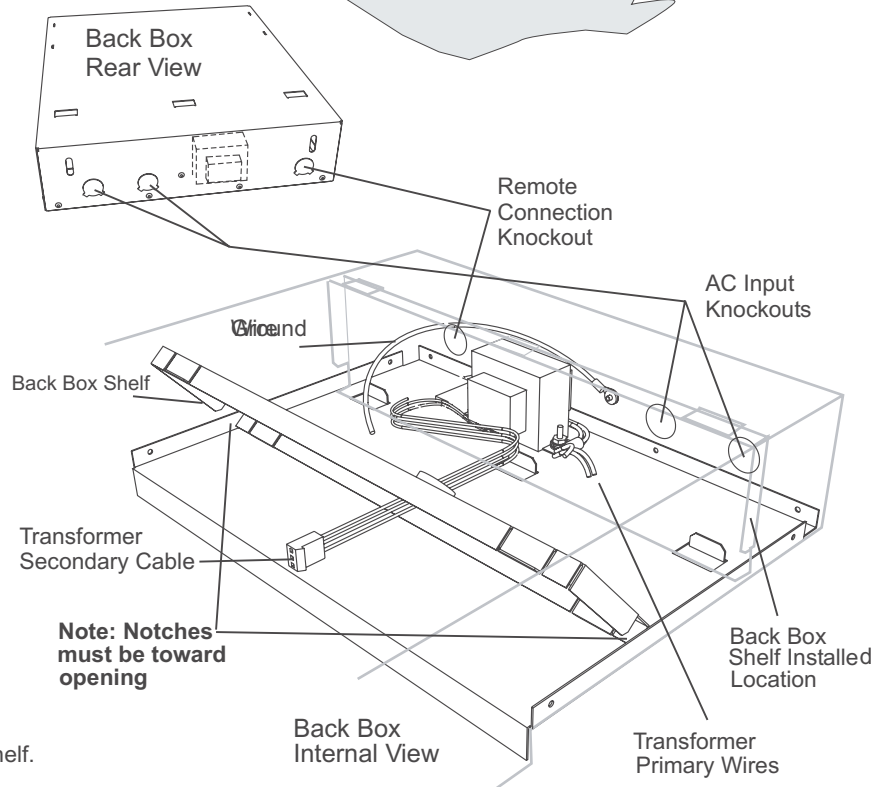
Connect **GREEN/YELLOW** Lead for **GROUND**. Dress AC and Ground wires down to bottom of backbox.

DO NOT REAPPLY POWER UNTIL FINAL SETUP

INSTALL BACK BOX SHELF

Feed transformer secondary cable (with connector) through hole in shelf and insert shelf into backbox with position of front and top indicated by label.

Snap shelf into retaining slots in backbox. See MAINTENANCE for instructions on removing backbox shelf.



BATTERY INSTALLATION

THIS PRODUCT IS SUPPLIED WITH A CHOICE OF 3 TYPES OF BATTERY SOURCES:
SEALED LEAD CALCIUM (LC)
NICKEL CADMIUM (Ni-Cd)
NICKEL METAL HYDRIDE (Ni-MH)

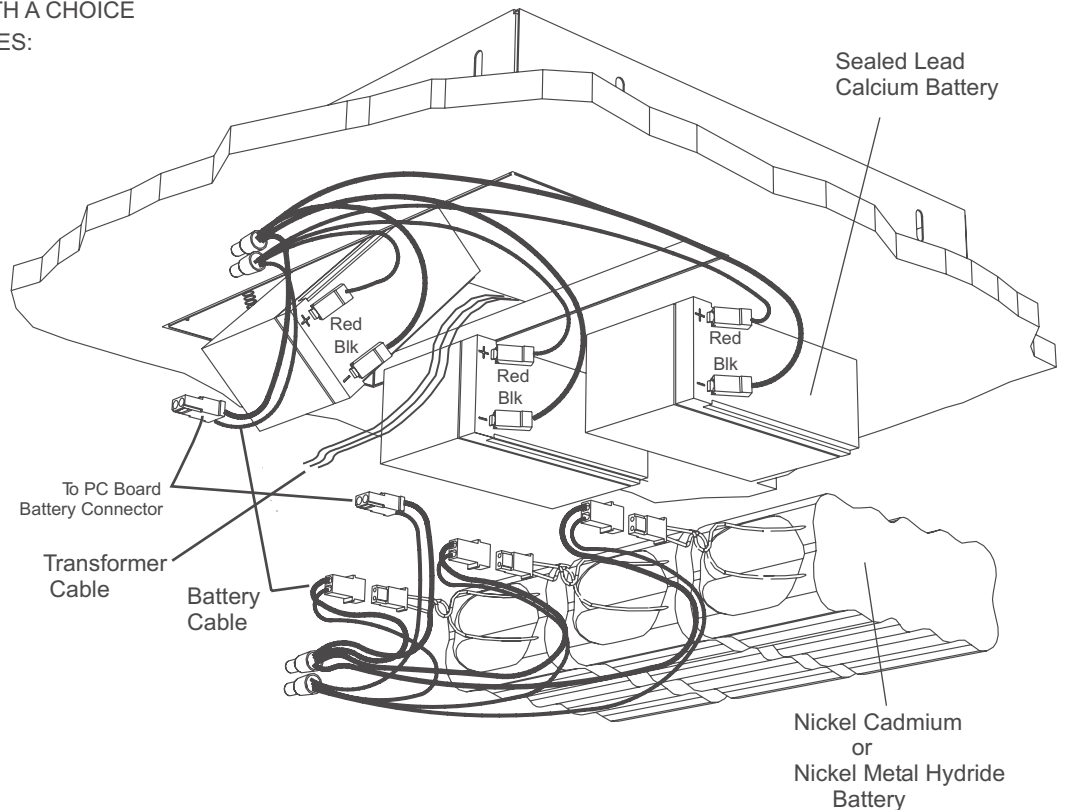
Depending on the product wattage and run-time ratings, there may be 1, 2 or 3 Batteries used.

Insert Battery(s) (**TERMINALS OR CONNECTORS FACING OUT**) through Lamphead opening. Allow Transformer Cable to extend out through Lamphead opening.

Battery(s) should be fully bottomed on Back Box Shelf.

Attach Battery Cable to Battery(s) ensuring that proper polarity is observed.

NOTE: Disconnected Battery must be recharged within 120 days.

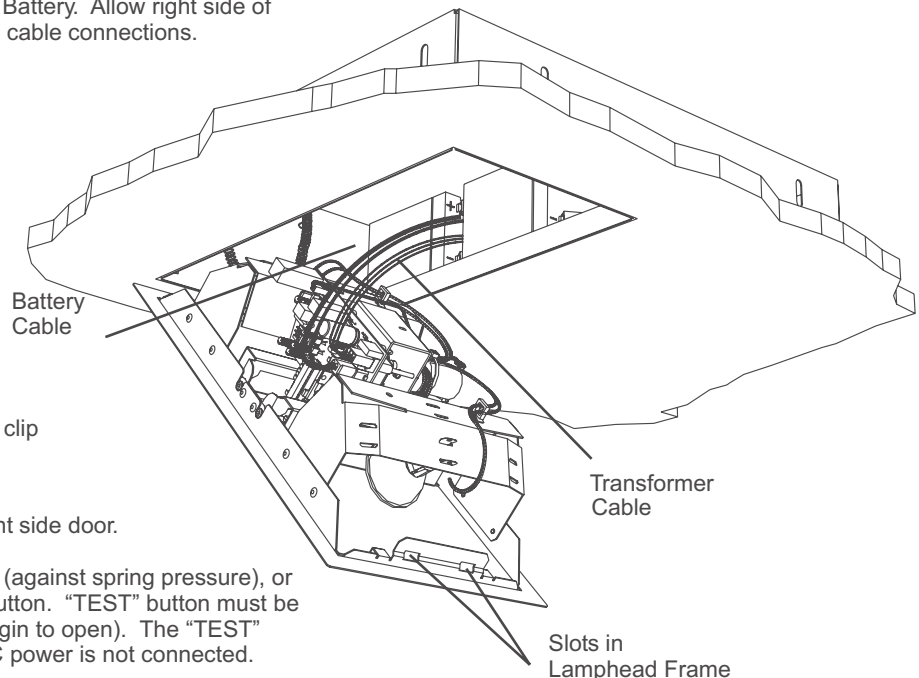


LAMPHEAD INSTALLATION

Attach left side Lamphead Retaining Clip (viewed from Lamphead opening) into slots in Lamphead Frame, ensuring that Lamphead is oriented so company logo is closest to Battery. Allow right side of Lamphead to remain free for access to cable connections.

Connect 3 pin Transformer Cable and 2 pin Battery Cable to matching sockets on Printed Circuit Board.

NOTE: Once Battery is connected, unit must be energized within 30 days.



Attach right side Lamphead Retaining clip into slots in Lamphead Frame.

Access to retaining clip is through right side door.

Door may be either manually opened (against spring pressure), or by pushing and holding the "TEST" button. "TEST" button must be held for 4 seconds (until the doors begin to open). The "TEST" button method is active only when AC power is not connected.

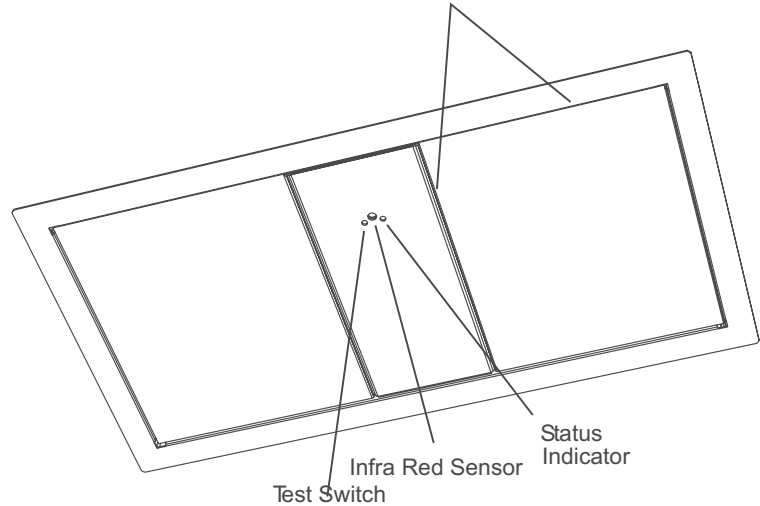
ON-SITE PAINTING

The doors and frame have been factory painted. If a new finish is applied, extreme care should be taken that a seal is not formed between the door frame and doors, which may hinder the free operation of the door mechanism.

If the finish is sprayed on, we suggest that a thin cardboard or plastic strip be inserted between the doors and frame to prevent a paint seal. The indicator light, test switch and I.R. sensor should also be masked.

After the new finish is applied, a sharp edge such as a single edge razor or utility knife should be inserted in the opening between the doors and frame, and run around the doors to ensure no seal is formed.

Remove paint seal if new finish is applied



SETUP AND OPERATION

REAPPLY POWER AND NOTIFY THE AUTHORITY HAVING JURISDICTION

ALLOW BATTERIES TO CHARGE FOR AT LEAST 72 HOURS BEFORE OPERATING UNIT.

STATUS INDICATOR

The "STATUS" indicator showing RED indicates that the Batteries are being charged. The indicator showing GREEN indicates fully charged Batteries.

TEST SWITCH

The "TEST SWITCH" is used to simulate failure of AC power. It can perform a USER test for 30 seconds or 90 minutes. By pushing the Switch for 1 second, the Doors will open and the Lamps will illuminate for 30 seconds. If the Switch is pushed for 4 seconds, and the "STATUS" indicator shows GREEN indicating fully charged Batteries, the Doors will open and the Lamps will illuminate for 90 minutes. If the Batteries are not fully charged, the 30 second test will run.

In either mode, the USER test can be cancelled by pushing the switch again.

INFRA RED REMOTE TESTING

The USER test can be performed up to 50 feet away, by using the "INFRA RED REMOTE TESTING TRANSMITTER". By aiming the TRANSMITTER at the SENSOR window and pushing either the "30 SECOND" or "90 MINUTE" button for 1 second, all the "TEST SWITCH" functions can be performed.

RETRANSFER DELAY

A 15 minute retransfer delay is available as a factory option. This option will keep the unit operating on battery backup for 15 minutes after power is restored. This feature allows HID lamps to warm up before the emergency lights are extinguished.

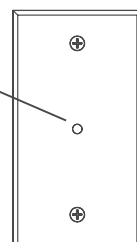
FUSED REMOTE OUTPUT LEADS

"FUSED REMOTE OUTPUT LEADS" can be installed as a factory option. These allow the use of remote 12 volt lamphheads. The remote lamphhead wattage added to the internal lamp wattage must not exceed the Output Load rating of the unit. Contractor will access leads through knockout in Backbox and make splice connections to leads.

REMOTE INDICATOR DISPLAY

For applications where it is undesirable to have the indicator on the Lamphhead, a Remote Indicator Display is offered as a factory option. The indicator is mounted in a switchplate panel which can be mounted in a standard 2" Switch Box supplied by others. Interconnecting wires should be AWG 22 or larger with a maximum run of 100 feet. Suitable cable would be UL Type CL2 Thermostat Cable.

Remote Indicator



LAMP ADJUSTMENT

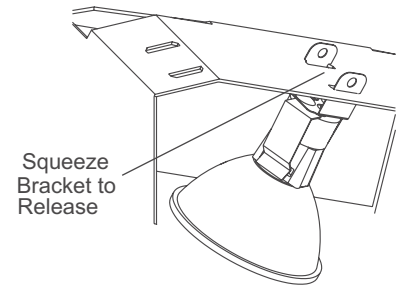
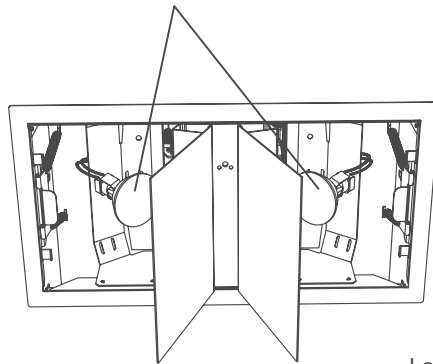
MIRRORLITE Model MIR-SD has 2 sets of 4 fixed lamp positions, which combined with adjustable mirrored door angles, provide optimum lighting patterns. Fixed lamp positions ensure that lighting patterns are not disturbed by relamping.

Lampholder position is changed by squeezing Lampholder Bracket to release, and replacing in new position.

CEILING MOUNT

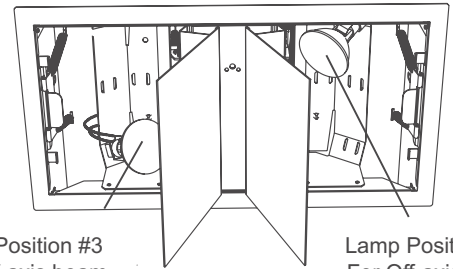
The product has been shipped with the lampholders installed in Lamp Position #1. This Lamp Position provides lighting patterns for most ceiling mount applications in which the fixture is on the same axis as the path of egress. The lighting pattern from one or both lamps can be shifted off-axis by changing one or both lampholders into Lamp Positions #2 or #3.

Lamp Position #1



Squeeze Bracket to Release

Lamp Position #3
For Off-axis beam

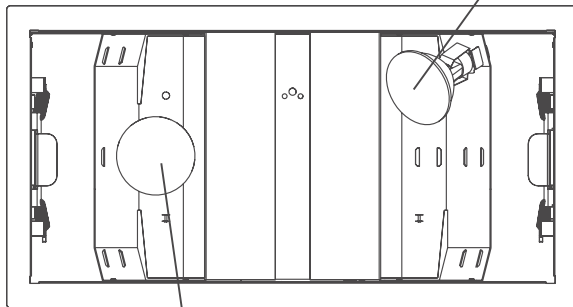


Lamp Position #2
For Off-axis beam

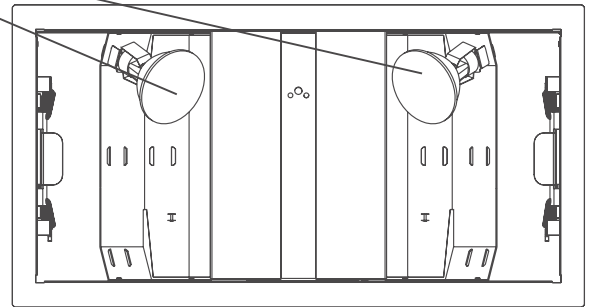
WALL MOUNT

Lamp Position #2 is used for Wall Mount applications where the path of egress is adjacent to the mounting wall. For applications where the path of egress is away from the mounting wall, the lampholders can be changed into Lamp Position #4.

Lamp Position #2
Standard Wall Mount Position



For Longer Throw
Lamp Position #4



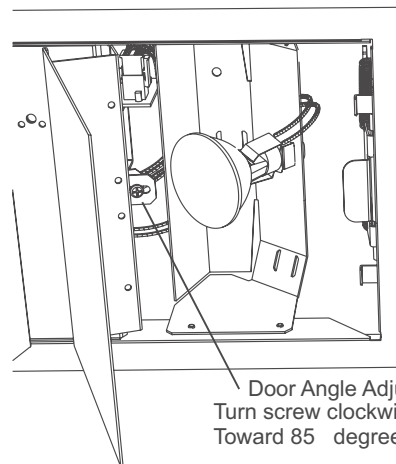
DOOR ANGLE ADJUSTMENT

Door angle adjustment is accomplished by turning the door adjustment screw. Door angle is adjustable between 65 and 85 degrees.

The closer the door angle is to 85 degrees, the shorter the throw of the beam.

If desired, each door angle can be adjusted independently, providing a non-symmetrical beam pattern.

To access the door adjustment screw, the door may be manually opened (against spring pressure). If AC power is disconnected, the "TEST" button may be pushed and held for 4 seconds to open the doors.



Door Angle Adjustment Screw
Turn screw clockwise to adjust door angle
Toward 85 degrees for short throw beam.

SELF-TESTING / SELF-DIAGNOSTIC

This unit meets the requirements of NFPA 101 for Periodic Testing of Emergency Lighting Equipment. It provides visual indication of unit malfunctions including:

- Battery Fault
- Charger Fault
- Transfer Fault
- Lamp Fault
- Door Fault

An automatic self-test and diagnostic function will be performed every 28 days. The doors will open for approximately 1 second and then close, without the lamps turning on. Following this, a load test will be performed for 29 minutes checking for a lamp, battery or transfer fault. This test will be performed only if the battery is fully charged. If not, the test will automatically reschedule. The charger function is monitored continuously.

A manual user test can be performed for 30 seconds or 90 minutes. By pushing the "TEST" Switch for 1 second, the Doors will open and the Lamps will illuminate for 30 seconds. If the Switch is pushed for 4 seconds, and the "STATUS" indicator shows GREEN indicating fully charged Batteries, the Doors will open and the Lamps will illuminate for 90 minutes. If the Batteries are not fully charged, the 30 second test will run.

In either mode, the user test can be cancelled by pushing and holding the "TEST" Switch for 1 second after the lamps come on.

The manual user tests can also be initiated by the INFRA RED REMOTE TESTING TRANSMITTER.

STATUS DISPLAY SIGNALS	FUNCTION	ACTION
Continuous Green	Battery in Float/Trickle Charge	None
Continuous Red	Battery High Charging	Wait for Green Status
Flashing Green	In Test Mode	Wait for Test to Complete
Alternate Red and Green	Insufficient Charge for User Test	Wait for Full Charge
Red - One Blink ON / Pause	Transfer System Failure	Factory Service
Red - Two Blinks ON / Pause	Battery Failure	Check Connections / Replace Battery
Red - Three Blinks ON / Pause	Charger Failure	Factory Service
Red - Four Blinks ON / Pause	Door Failure	Check for Paint Seal
Red - Five Blinks ON / Pause	Lamp Failure	Replace Lamp

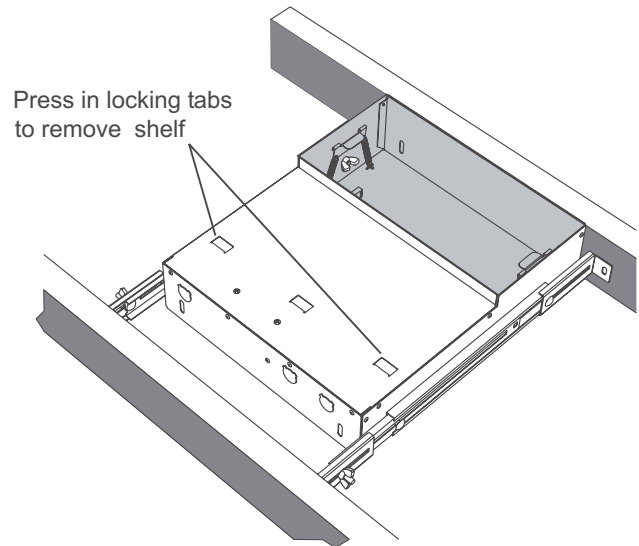
MAINTENANCE

MIRRORS

When required, clean with WINDEX glass cleaner or equivalent, using lint-free non-abrasive soft cloth.

REMOVAL OF BACKBOX SHELF

Backbox shelf can be removed from backbox by pressing in 2 locking tabs on either the front or rear face of backbox and sliding shelf toward lamphead opening.



LAMP REPLACEMENT

Before replacing lamps, disconnect power at breaker panel and allow lamps to cool. Push and hold "TEST" switch for 4 seconds (until doors begin to open). Grasp socket so aiming position is not disturbed. Be sure replacement lamp is totally seated in socket. Refer to replacement lamp part number. Use only specified replacement lamps.

The self-diagnostic system "learns" the lamp wattage when the unit is initially powered. It is therefore necessary to replace the lamps with the same wattage as was initially "learned", or else the system will report a defective lamp. If it becomes necessary to change the lamp wattage, within the ratings of the unit; this can be accomplished by disconnecting power at the breaker panel and unplugging the Battery Cable. When power at the breaker panel is reconnected and the Battery Cable is replugged, the system will "learn" the new lamp wattage.

BATTERY

The battery supplied in this unit requires no maintenance. However, it should be periodically tested (see TEST) and replaced whenever it will no longer operate the emergency lamps for the durations specified. Replace using the BATTERY INSTALLATION procedure. Refer to replacement battery part number. Use only specified replacement batteries.

Used batteries may not be disposed of in the municipal solid waste stream. Arrangements for recycling Sealed Lead Calcium batteries can be made at 1-323-278-1900. For information on local recycling drop off points for Nickel Cadmium and Nickel Hydride batteries, call 1-800-BATTERY.