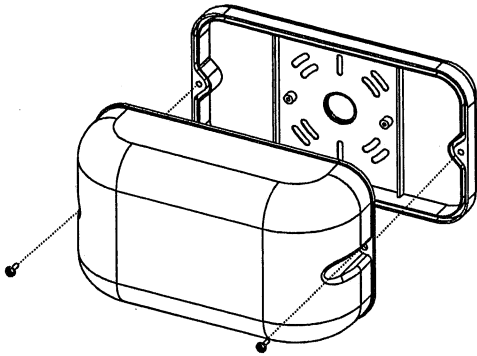


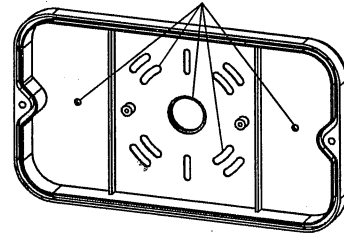
MODELS TCVS/RLVS INSTALLATION INSTRUCTIONS FOR WET LOCATION ENCLOSURE

IMPORTANT: DISCONNECT POWER BEFORE INSTALLATION

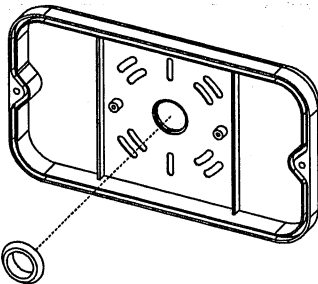
STEP 1: DISASSEMBLE CLEAR COVER.



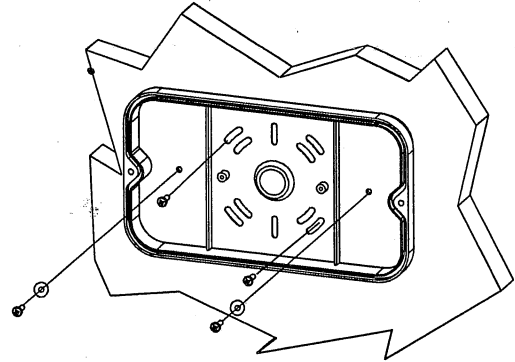
STEP 2: KNOCK OUT OR DRILL MOUNTING HOLES AS REQUIRED.



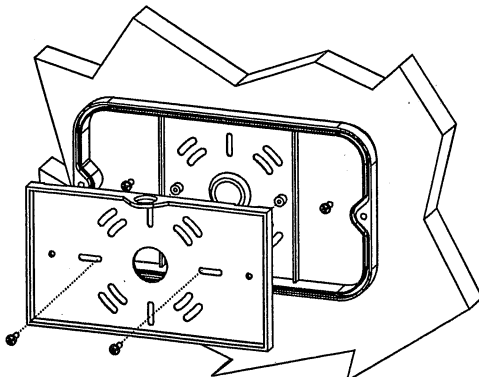
STEP 3: INSTALL CABLE BUSHING.



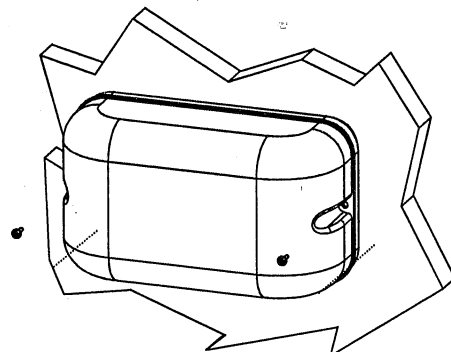
STEP 4: INSTALL REAR COVER ONTO WIRING BOX AND/OR WALL SURFACE.



STEP 5: INSTALL LIGHT FIXTURE BACK PLATE TO WET LOCATION REAR COVER WITH SCREWS PROVIDED.



STEP 6: REASSEMBLE THE WET LOCATION CLEAR COVER.



MAKE NECESSARY ELECTRICAL CONNECTIONS
AND SNAP FIXTURE ONTO BACK PLATE.