

PROJECT NAME:	APPROVED BY:
CATALOG NO:	TYPE NO:

TELESIS - LED Exit Signs

Wet Location - NEMA 4X Vandal Resistant

Telesis wet location LED exit sign/combo features low energy long life LED light sources in an attractive and economical low profile, tough UV stabilized polycarbonate housing. Telesis wet location exit/combos are available in single face or double face, and include a die cast aluminum mounting canopy and field selectable chevron indicators. Quick connect components provide fast, installer friendly installation and ease of maintenance. UL924 Wet Location Listed.



Construction

- Attractive, Low Profile UV Stabilized Polycarbonate housing in a pure White, Black or Gray finish
- Vandal resistant, UV stabilized clear polycarbonate lens fully gasketed for use in wet locations
- Stainless steel captive screws secure the lens cover to the housing
- Die cast aluminum mounting canopy and hardware provided as standard
- Universal mounting pattern for wall mount with Field Selectable Chevron Directional Indicators

Electrical

- Field Selectable 120 or 277 VAC input
- Available with a full self-test / self-diagnostic option
- Magnetic test switch and unique bi-color LED indicator easily identifies battery status (green normal, red check battery)
- Electronic Control Circuit and Isolation Transformer provide current control and circuit protection ensuring optimum LED efficiency and life
- Maintenance free Nickel Cadmium Battery provides the required 90 minute minimum operating time
- Fully automatic two rate charger recharges the battery in 24 hours
- UL 924 Listed for wet locations 0° to 50°C
- Low voltage cut-off prevents battery damage and ensures positive charge acceptance following an extended discharge
- Line-latch prevents unnecessary discharge of battery during installation

Illumination

- Exceptionally Low Energy Consumption LED light source with 20+ years life expectancy
- Two 3.6 watt LED lamp heads provide optimal center to center to center spacing
- High Intensity LED Array with 6" letter and 3/4" stroke in red or green, providing superior visual brightness and uniformity

Certification

- Wet location listed as standard and suitable for NEMA 4X requirements
- UL 924 listed meets NFPA 101 Life Safety Code,
- NFPA 70-NEC, and OSHA requirements
- California Energy Commission (CEC) Title 20 Compliant



Warranty

- 5 year limited warranty

ORDERING GUIDE - TWLCOM

Example: TWLCOM-R-1-W-SD

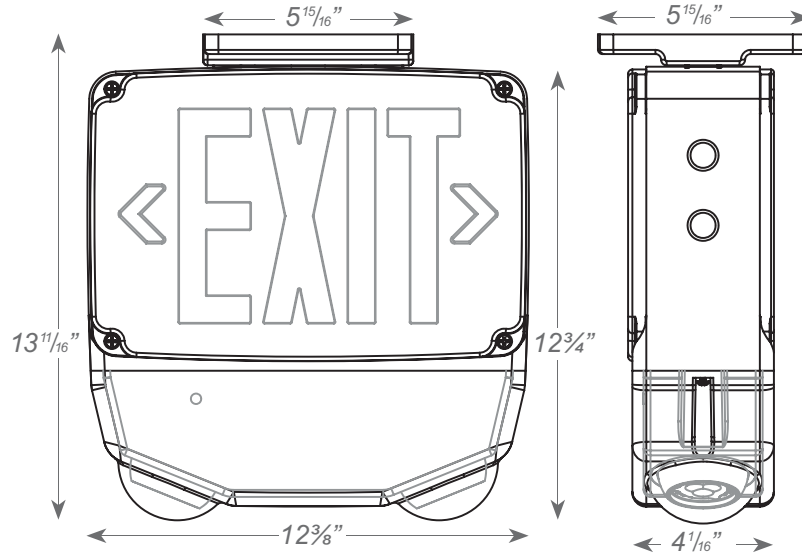
Model	Operation	Letter Color	Number of Faces	Housing Color	Options
TWLCOM Telesis Wet Location LED Exit Sign/Combo	Nickel Cadmium Battery Back-up	R Red LED G Green LED	1 Single Face 2 Double Face	W White (Standard) B Black GY Gray Housing White Face	CW Cold Weather (-20 to 50°C) SD Self-Diagnostic Testing TP Tamper Resistant Screws RC Remote Capacity (6V 7.2W) SW Special Wording (consult factory)
TWLCOM					

Fill in fields from categories above and complete type and part number.

Type Number:

Full Part Number:

Telesis LED Exit Signs



CENTER-TO-CENTER SPACING GUIDELINES

For reference only.

**UNIT
LOCATION**
LIGHT SOURCE

1	0.30	0.43	0.59	0.76	0.98	1.22	1.37	1.37	1.21	0.97	0.74	0.70	0.75	0.92	1.09	1.13	1.04	0.89	0.68	0.50	0.34	0.24	
2	0.36	0.50	0.77	1.02	1.26	1.51	1.69	1.60	1.43	1.15	0.89	0.83	0.93	1.20	1.51	1.67	1.57	1.33	1.03	0.71	0.52	0.35	
3	0.43	0.60	0.82	1.20	1.51	1.77	1.90	1.84	1.53	1.20	0.95	0.89	1.03	1.44	1.78	1.93	1.84	1.50	1.15	0.78	0.55	0.38	
4	0.42	0.60	0.85	1.13	1.44	1.70	1.82	1.70	1.38	1.12	0.89	0.87	1.05	1.50	1.83	2.09	2.00	1.68	1.26	0.94	0.66	0.40	
5	0.44	0.61	0.80	1.06	1.29	1.45	1.50	1.40	1.12	0.96	0.78	0.78	0.97	1.34	1.70	1.93	1.87	1.61	1.25	0.91	0.67	0.48	
6	0.37	0.54	0.69	0.86	1.05	1.10	1.12	1.04	0.87	0.70	0.62	0.64	0.80	1.06	1.34	1.58	1.55	1.37	1.12	0.90	0.68	0.50	
	12	11	10	9	8	7	6	5	4	3	2	1	0	1	2	3	4	5	6	7	8	9	10

Meets NFPA 101 Requirements for: 24'+ center-to-center spacing - 6'+ path of egress 0' from wall - 9' mounting height.

