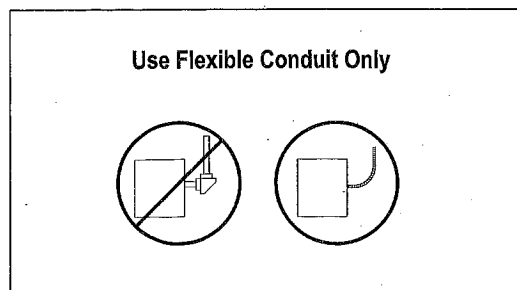


INSTALLATION & OPERATION INSTRUCTIONS

IMPORTANT SAFEGUARDS

1. READ AND FOLLOW ALL SAFETY INSTRUCTIONS.
2. Review the diagrams thoroughly before installation. If you feel you do not have electrical wiring handbook or have your fixture installed by a qualified licensed electrician.
3. All electrical connection must be in accordance with local codes, ordinances, and the National Electric Code. If you are unfamiliar with methods of installing electrical wiring, secure the services of a qualified electrician.
4. Before starting the installation, disconnect the power by turning off the circuit breaker or by removing the appropriate fuse at the fuse box. Turning the power off using the light switch is not sufficient to prevent electrical shock.
5. Do not let power supply cords touch hot surfaces.
6. Do not mount near gas or electric heaters.
7. Use caution when servicing batteries. Battery acid can cause burns to skin and eyes. If acid is spilled on skin or in eyes, flush acid with fresh water and contact a physician immediately.
8. Equipment should be mounted in location and at heights where it will not readily be subject to tampering by unauthorized personnel.
9. The use of accessory equipment not recommended by the manufacturer may cause an unsafe condition.
10. Do not use this equipment for other than intended use.
11. All servicing should be performed by qualified personnel only.
12. Allow battery to charge for 24 hours before first use.

SAVE THESE INSTRUCTIONS



UNPACK THE FIXTURE

Check the contents of the box. You should receive:

- 1 -LED emergency light
- 2 - Parts Bag

WALL MOUNTING

1. Use flat blade screwdriver into the slot and gently pry off the housing. (See Fig. 1)
2. Remove battery from back plate.
3. Remove the knock out hole on center and knock out slot on the back plate that corresponds to junction box holes to used. (See Fig. 2)
4. Feed transformer leads through center hole on the back plate, then make the proper supply lead connections. See electrical connection below. Cap off unused hot lead.
5. Mount back plate to junction box with screw provide 8#32x1" long.
6. Replace battery on back plate, connect red lead to battery positive terminal, connect green lead to battery negative terminal.
7. Snap top cover to back plate.
8. Restore power and press test button. Battery - powered bulbs will come on. AC light will turn off.

CONDUIT INSTALLATION

1. Use flat blade screwdriver into the slot and gently pry off the housing. (See Fig. 1)
2. Remove knock out hole from back plate. (See Fig. 3)
3. Secure the mounting plate to conduit with nut.
4. Pass white (neutral) and either black 120V or orange 277V hot wire leads through center hole of mounting plate. make electrical connections in junction box, see electrical connection below. You may use hanging hook to hang fixture while making
5. Connect red lead to battery positive terminal.
6. Snap top cover to back plate.
7. Restore power and press test button battery powered LED lamp will come on. AC light will turn off.

ELECTRICAL CONNECTIONS

Connect white lead wire from fixture to white (neutral) wire supply feed from circuit. Connect black 120V or orange 277V (depending on supply voltage) lead wire from fixture to black (hot) wire from supply circuit. Use U.L. Listed wire connectors suitable for the size, type, and number of conductors. No loose strands or loose wires should be present. Secure wire connectors with U.L. listed electrical tape.

RELAMPING

1. Insert blade screwdriver into the slot between lamp cover and lamp body and then push gently to remove lamp cover.
2. Install bulb.

OPENING TOP COVER

Use flat blade screwdriver into the sbt and gently pry off the housing.

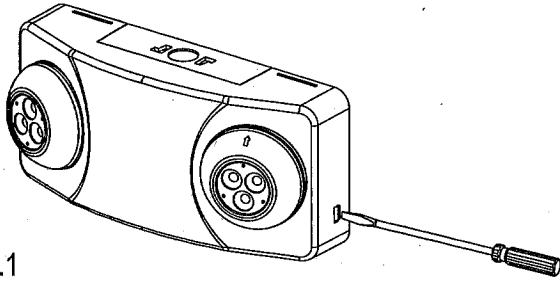
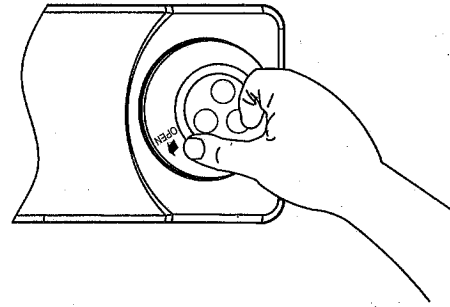


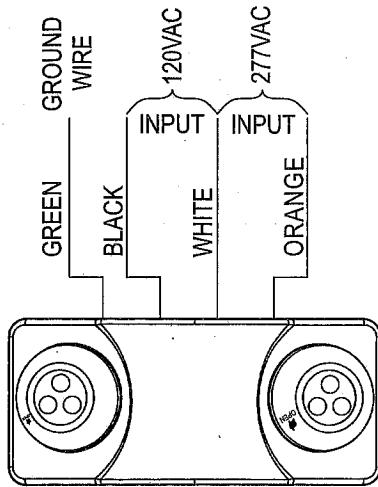
Fig.1

- NOTICE -

Press down the light head at the open direction, and then turn around the light head to adjust the light angle.



Wiring



WALL MOUNTING

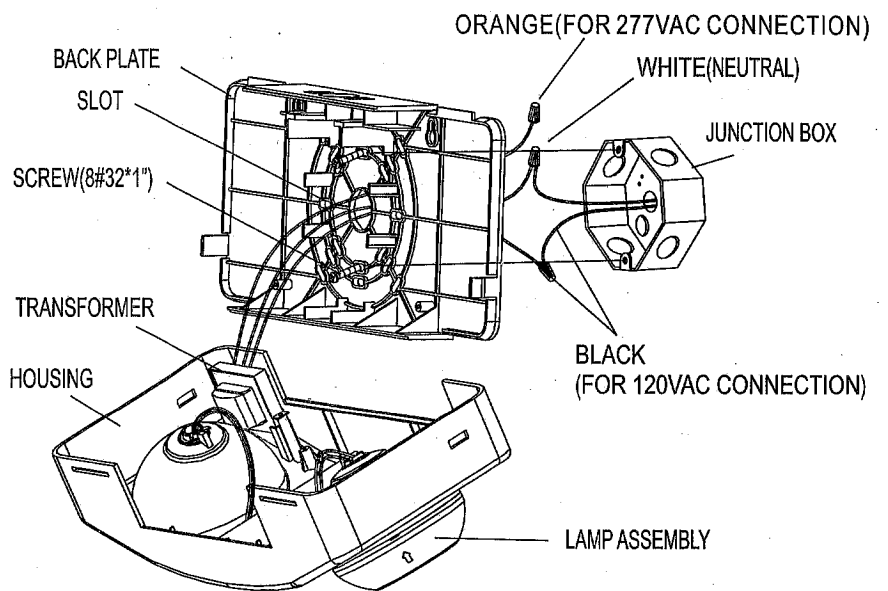


Fig.2

CONDUIT MOUNTING

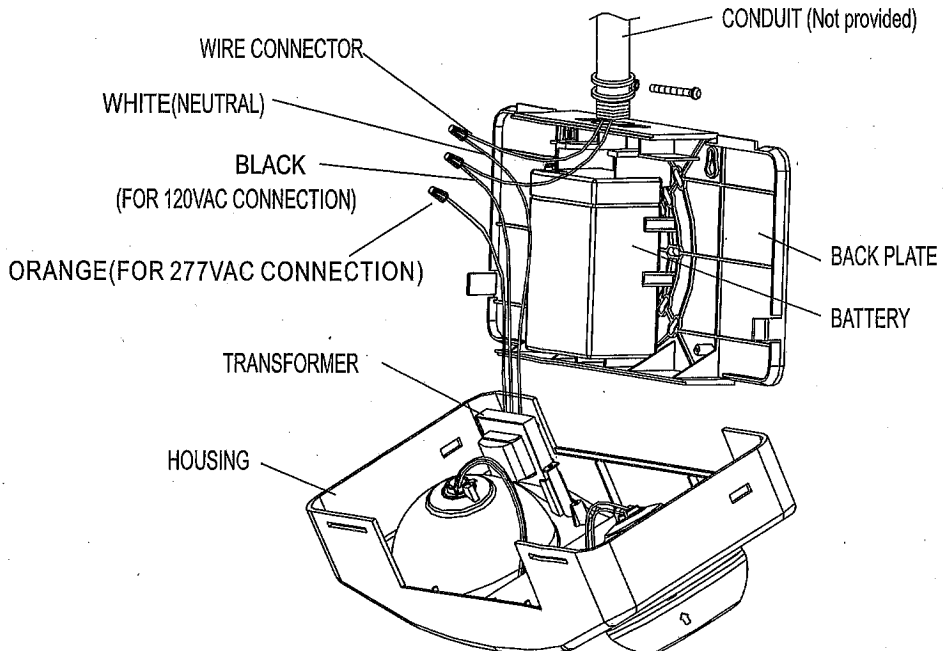


Fig.3

INSTALLATION INSTRUCTION

SELF-DIAGNOSTICS/SELF-TEST OPTION

SAVE THESE INSTRUCTIONS

1. When AC power is supplied to fixture, the unit will automatically initiate a self-test and self-diagnostic test as follows:

- (1) Verifies battery disconnection, charger board failure, lamps failure and transformer failure at every 5 seconds.
- (2) One-minute self-testing every month.
- (3) 30 minutes self-testing on the 6th month of the year after installation.
- (4) 90 minutes self-testing on the 12th month of the year after installation.

2. Dual color LED lamp indicator shows the following status:

- (1) Green color On / Ready
 blinking: Testing
- (2) Red color (Service Alert)
- (3) Service Alert LED Code (Red color LED lamp indicator)

●	One blink, 4 second pause	Battery is not connected
● ●	Two blinks, 4 second pause	Battery short or low battery voltage
● ● ●	Three blinks, 4 second pause	Charger board circuit fault
● ● ● ●	Four blinks, 4 second pause	Transformer fault (transformation circuit fault)
● ● ● ● ●	Five blinks, 4 second pause	Emergency lamp fault
● ● ● ● ● ●	Six blinks, 4 second pause	Remote head's emergency lamp fault (if installed)

NOTE

After solving the fault of emergency equipment, please press test button for 2 seconds without releasing to reset. LED indicator will show green.

3. For manual test, press test button as follows:

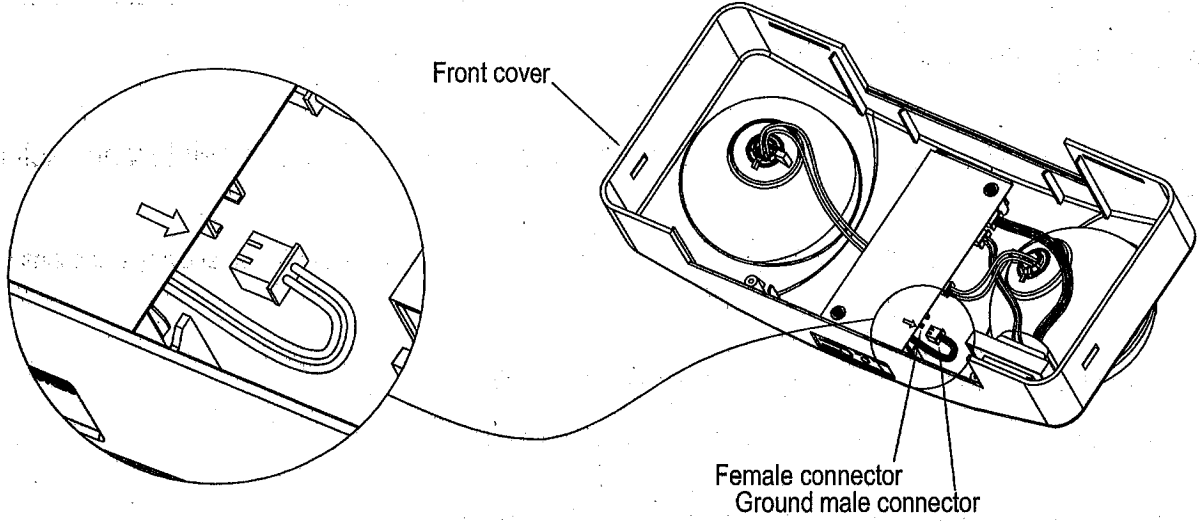
Press test button once	1 minute discharge test
Press test button twice within 2 seconds	5 minutes discharge test
Press test button 3 times within 2 seconds	30 minutes discharge test
Press test button 4 times within 2 seconds	90 minutes discharge test

4. Remote Capacity for Self-Test Option :

In order to connect remote lamp heads with self-diagnostics/self-testing option, please refer to the instruction on the next page.

Fixture provide max. 6V3W remote capability.

(1) Remove ground male connector from the female connector on PCBA.



(2) Plug the remote male connector into the female connector.

(3) Connect extended remote head wires to the remote wires using wire nut.
Yellow is positive(+) and the purple is negative(-).

